



REFLEX 105

GAS FIRES - SUPPLEMENT







EXPERIENCE THE EXTRAORDINARY

Dancing flames. A glowing ember bed. Logs that look as real as, well... the real thing. These are all the elements that make the Reflex 105 so realistic, you may find it hard to believe it's a gas fire. And with its wealth of styling options, the 105 gives you the freedom to tailor your fire to your home. So whatever your tastes — you will experience the extraordinary.

The landscape Reflex 105 is the latest fire to join the esteemed Gazco Reflex range, which includes smaller but equally impressive fires with a variety of different styles and installation options. See the Reflex 75T brochure for more information.



Cover Image: Reflex 105 Edge with EchoFlame Black Glass lining.
Image: Reflex 105 Icon XS with EchoFlame Black Glass lining.

OTHER FIRES IN THE REFLEX RANGE

The Reflex series also includes the 75T fires, which feature the range's signature flame visuals. Offering an alternative to the landscape design of the Reflex 105, these elegant fires provide a wealth of possibilities within a squarer form. For more information see the Reflex 75T brochure.



Reflex 75T

Equally suited to modern or traditional settings, the 75T can be styled with a range of contemporary frames or magnificent stone mantels.

Offered in either conventional or balanced flue versions, this fire can be installed with or without a chimney.



Reflex 75T Multi-sided

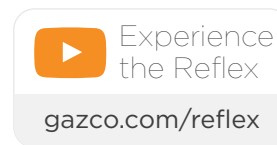
Granting a panoramic view of the stunning flames, balanced flue Reflex multi-sided fires allow you to create a bespoke two-sided or three-sided fireplace.

Whether you choose a corner or centrally positioned fireplace, flames can be viewed from different angles creating a both unique and captivating focal point in your home.



See Reflex fires burning

The Reflex range's spectacular flame visuals are impossible to capture in a still image. To truly experience these stunning fires, view the Reflex video on our website.



Above left: Reflex 75T Evoke Glass with White Glass front, Graphite rear and EchoFlame Black Glass lining.
Above centre: Reflex 75T-2 (two-sided fire) with EchoFlame Black Glass lining.

Reflex 75T-3 (three-sided fire)
with EchoFlame Black Glass lining.



PEACE OF MIND

Quality and Innovation of the Highest Standard

When you choose Gazco, quality and innovation are assured. Our research and development laboratories are amongst the most advanced in the world, ensuring that the very latest technologies are incorporated into our appliances.

With over 30 years of proven experience building quality gas fires, you can be confident that when you select a Gazco product, you are getting the best of British design, engineering and manufacturing.



Gazco is an ISO9001 and ISO14001 accredited company, with rigorous quality control and environmental systems to ensure both the safety of our appliances and the minimising of any possible impact from our operations. All fires in this brochure bear the CE mark.

Five Year Extended Warranty

Your Gazco Expert Retailer will provide you with a Two Year Warranty for your new Reflex gas fire. This can be extended to a Five Year Warranty by registering your fire with Gazco. Please note, these warranties exclude certain consumable parts. Fires purchased outside of Gazco's Expert Retailer Network will carry a standard one-year non-extendable warranty. Full warranty terms and conditions are available to view at: www.gazco.com.



Expert Retailer Network

Our products are only available from experienced, independent retailers who will be happy to show you a selection of models locally in their showrooms, often fully operational. These independent retailers will discuss your individual requirements both technical (such as sizing the heat output to your room and advising on your flue type) and design, to ensure that you select the most appropriate product for your home.

Our experienced retailers will also be able to advise on, or assist with, the installation process as well as help provide any after-sales support and servicing your appliance may require in the future. Whilst we encourage our retailers to promote fireplace products and their outlets via the internet, we do not believe suitable levels of customer care and satisfaction can be obtained from purchasing the product only online and we would strongly recommend that you consider this when undertaking your research and making a purchasing decision.

Furthermore, please be aware that we do not offer technical support (beyond our statutory responsibilities) to products bought via nationwide online sales, where this support would normally be offered by one of our qualified, independent retailers.

Find Your Expert Retailer

You can find your nearest expert retailer by visiting: www.gazco.com/find-a-retailer.



COMPLETE CONTROL

Harmony¹⁰ Control System

Gazco's Harmony¹⁰ control system gives you complete control over the Reflex 105's features. Ignite and adjust the front and rear flames, along with the brightness of the ambient EmberLight LED fuel bed. Program the fire either thermostatically or with daily scheduling to suit your lifestyle. You can also select the Reflex's EcoFlex gas saving mode, which modulates flame height by almost imperceptible degrees for lower gas usage whilst still preserving the impressive flame visuals.

- Ignite/extinguish flames
- Front and rear flame control
- Thermostatic Programmable Control
- Daily / Weekly programmable schedule
- EcoFlex gas saving mode
- EmberLight LED bed (with or without flames)



HARMONY¹⁰
CONTROL SYSTEM

ECHOFLAME™
BLACK GLASS LINING

COMPLETE CONTROL

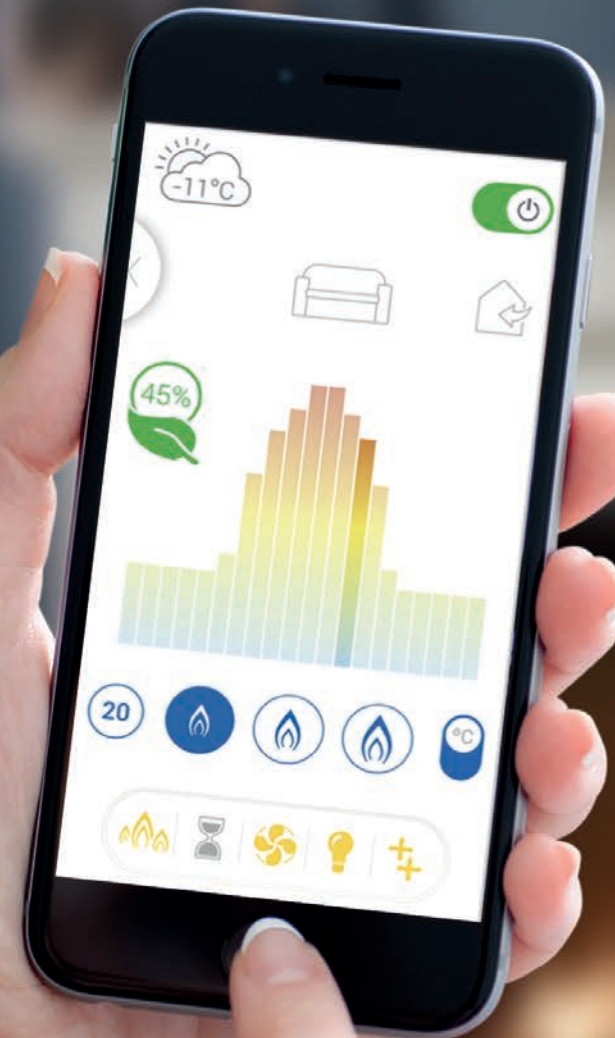
Reflex Myfire App Control

All Reflex fires have the option of Wi-Fi connectivity.

This option lets you control your fire from your smart phone or tablet device using the Myfire app. Providing even greater control over your Reflex fire's EcoFlex gas saving mode, this powerful app also gives you all the features of the included Harmony¹⁰ handset through your mobile device.

EcoFlex Gas Saving

Fine-tune the Reflex's EcoFlex gas saving mode with the Myfire Wi-fi app. Switch between low, medium and high settings that save up to 45% gas and record your favourite settings for quick start-up. For more information, see the main Reflex brochure.





TAILORING YOUR REFLEX 105 TO YOUR INTERIOR

A suite of styling possibilities lets you personalise your fire to your specifications

Frames and surrounds

The Reflex 105 is designed as an Edge fire for a hole-in-the-wall installation that seamlessly integrates with your interior. For added presence, various surround options transform and enhance the 105's landscape proportions. The Icon XS adds a shimmering black glass frame, whilst the two luxurious stone Sorrento surrounds offer a striking yet minimalist take on the fireside.



Edge (frameless)



Icon XS



Sorrento - Graphite Granite



Sorrento - Limestone

Key Details

	Conventional Flue	Balanced Flue
Maximum Heat Output	9.5kW	10.2kW
Efficiency	Up to 76%	Up to 92%
Energy Efficiency Class	D	A

Reflex Key Features

- Adjustable LED lighting effects
- Non-reflective glass for a crystal-clear flame view
- Various frame and lining options
- Optional smart phone or tablet control
- EcoFlex gas saving mode
- Natural Gas or LPG
- Conventional or balanced flue fires*
- Harmony¹⁰ Programmable Thermostatic Remote Control

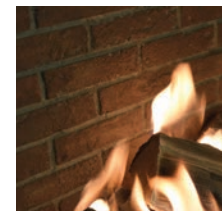


Lining Options

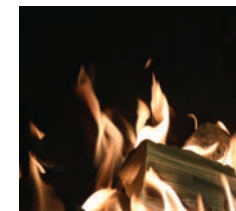
Three lining choices let you set the stage for the 105's spectacular flame visuals. LedgeStone and Brick-effect linings offer a classical backdrop that offsets the fire's modern looks. The striking EchoFlame Black Glass reflects the flames on all sides for a deeper picture.



LedgeStone-effect



Brick-effect



EchoFlame Black Glass

*Balanced flue models deliver convected airflow back into the room via the enclosure into which the fire is built. Air vents are required at the top and bottom of the enclosure on both sides. Please see page 15 for more information.

REFLEX 105

EDGE

Surrounded only by your interior décor, the 105 Edge provides the ultimate in contemporary fireside ambiance, with nothing but the expansive flame picture on show.





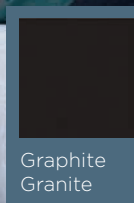
 Experience
the Reflex
gazco.com/reflex

Reflex 105 Edge with EchoFlame Black Glass lining

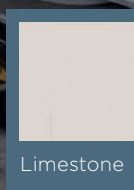
REFLEX 105

SORRENTO

Presenting contemporary style with a nod to classic fireside aesthetics, the Sorrento offers a modern take on traditional mantel designs. Clean lines and minimal detailing emphasise the natural stone, which is available in Graphite Granite or Limestone.



Graphite
Granite



Limestone

REFLEX 105

ICON XS

Composed of four pieces of geometrically positioned black glass, this designer frame adds enhanced definition to the 105's stunning flame picture.









Experience
the Reflex


gazco.com/reflex

TECHNICAL INFORMATION

REFLEX 105 FIRE INFORMATION

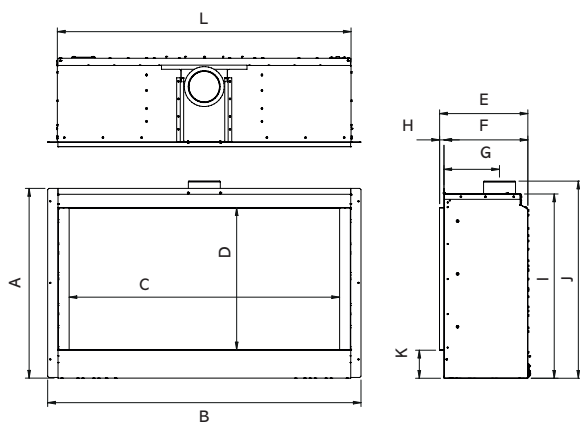
Product Code	Flue Type	Gas Type	Heat Input	Heat Output	Energy Efficiency Class	Efficiency	Lining
191-168	Conventional flue	Nat. Gas	13.9kW	9.5kW	D	76%	Brick-effect
191-636	Conventional flue	LPG	13.4W	9.4kW	D	76%	Brick-effect
191-182	Conventional flue	Nat. Gas	13.9kW	9.5kW	D	76%	Black Glass
191-659	Conventional flue	LPG	13.4kW	9.4kW	D	76%	Black Glass
191-177	Conventional flue	Nat. Gas	13.9kW	9.5kW	D	76%	Ledgestone-effect
191-643	Conventional flue	LPG	13.4kW	9.4kW	D	76%	Ledgestone-effect

 191-223	Balanced flue	Nat. Gas	12.0kW	9.9kW	A	92%	Brick-effect
 191-745	Balanced flue	LPG ^	12.0kW	10.2kW	A	92%	Brick-effect
 191-245	Balanced flue	Nat. Gas	12.0kW	9.9kW	A	92%	Black Glass
 191-776	Balanced flue	LPG ^	12.0kW	10.2kW	A	92%	Black Glass
 191-236	Balanced flue	Nat. Gas	12.0kW	9.9kW	A	92%	Ledgestone-effect
 191-760	Balanced flue	LPG ^	12.0kW	10.2kW	A	92%	Ledgestone-effect

 All fires shown with this symbol have the advantage of not normally requiring an air vent* where the air permeability is greater than 5.0m³/hr/m².

*Requirements in the Republic of Ireland are different. ^Requires 8" flue system.

REFLEX 105 DIMENSIONS (MM)



The information on this page is to assist you in your choice of a suitable Gazco fire. This is not intended to be all the information required to install your fire. This can be obtained from your local Gazco retailer or you can download the full installation instructions from the Gazco website at: www.gazco.com.

	A	B	C	D	E	F	G	H	I	J	K	L
6" Reflex 105 CF LPG / Nat Gas	736	1216	1050	551.5	343	326	216	17	715	765	109	1140
6" Reflex 105 BF NG	736	1216	1050	551.5	361	344	211	17	709	793	109	1140
8" Reflex 105 BF LPG	736	1216	1050	551.5	361	344	211	17	709	793	109	1140

REFLEX 105 ACCESSORIES

Product Code	Description
991-351	Brick-effect Lining Set - 105 Conventional Flue
991-393	Black Glass Lining Set - 105 Conventional Flue
991-364	Ledgestone-effect Lining Set - 105 Conventional Flue
991-447	Brick-effect Lining Set - 105 Balanced Flue
191-495	Black Glass Lining Set - 105 Balanced Flue
991-461	Ledgestone-effect Lining Set - 105 Balanced Flue
999-055	Wi-Fi Control Kit (suitable for new fires at time of purchase)

REFLEX 105 FRAME OPTIONS

Product Code	Description	Frame Finish	Frame Size (mm)		
			w	h	d
934-334	Icon XS	Black Glass	1443	861	24
934-653	Sorrento	Graphite Granite	1530	801	200
934-501	Sorrento	Natural Limestone	1530	801	200

INSTALLATION AND SAFETY

Gazco gas fires must be fitted by a qualified gas installer (Gas Safe registered in the United Kingdom or Bord Gáis registered in the Republic of Ireland) who should also verify the proposed site conditions are fully suitable for the product selected. Complete installation instructions for many models can be obtained prior to purchase by viewing or downloading them from www.gazco.com.

When designing your own installation, please also observe the minimum distance to combustible materials as stated in the installation instructions.

Please note that all parts of these fires, particularly the glass panel in the door, become extremely hot during operation and can result in serious injury and burns if touched. It is therefore recommended that a fireguard complying with BS 8423:2002 is used in the presence of young children, the elderly or infirm.

AIR VENTILATION FOR GAS FIRES

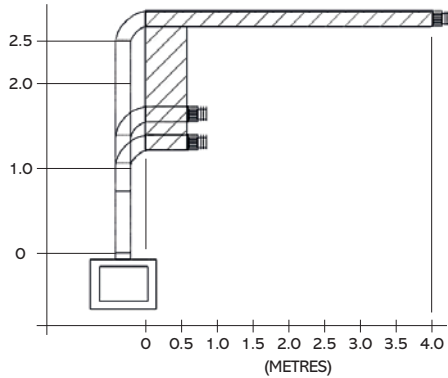
To comply with gas appliance installation regulations, all conventional flue Reflex fires require additional ventilation into your room. All fires shown with the symbol above have the advantage of not normally requiring an air vent* where the air permeability is greater than 5.0m³/hr/m². Please consult either your Gazco retailer or the Gazco Technical Information on our website www.gazco.com to confirm the ventilation required. Please be aware that balanced flue models still require adequate enclosure venting of warm air back into the room, as explained on the following page.

*Requirements in the Republic of Ireland are different.

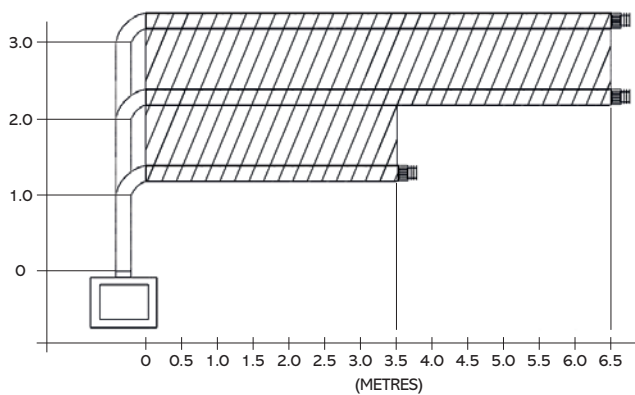
BALANCED FLUE OPTIONS

Gazco offers a comprehensive range of balanced flue system components. Please refer to our dedicated Concentric Flue System brochure and individual Reflex fire instruction manuals, which can be viewed online at www.gazco.com. Please note that the Reflex 105 BF LPG has been designed with a flue collar size of 8", whereas the Reflex 105 BF Natural Gas currently has a flue collar of 6".

UP AND OUT KIT FOR 6" REFLEX 105 NATURAL GAS



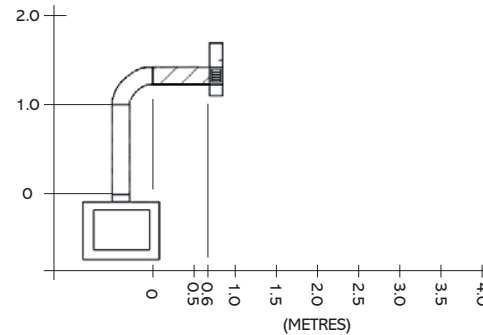
UP AND OUT KIT FOR 8" REFLEX 105 LPG



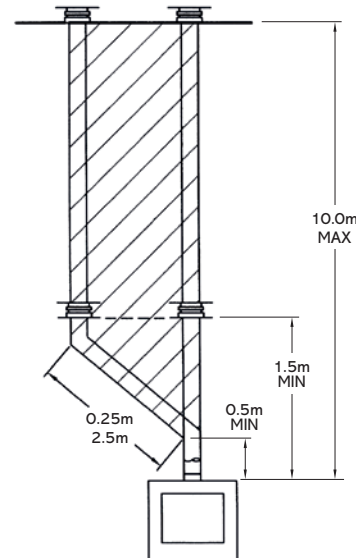
BALANCED FLUE CONVECTED WARM AIRFLOW

Balanced flue models heat the room with convected warm air via the chimney breast or enclosure into which the appliance is installed. The void around the fire must be ventilated at both low and high levels on both sides to prevent heat build up. These vents take cold air from the room and return it back into the room. Care must be taken to comply with clearance to combustible materials as detailed in the instruction manual.

UP AND OUT TERMINAL KIT FOR 6" REFLEX 105 NATURAL GAS

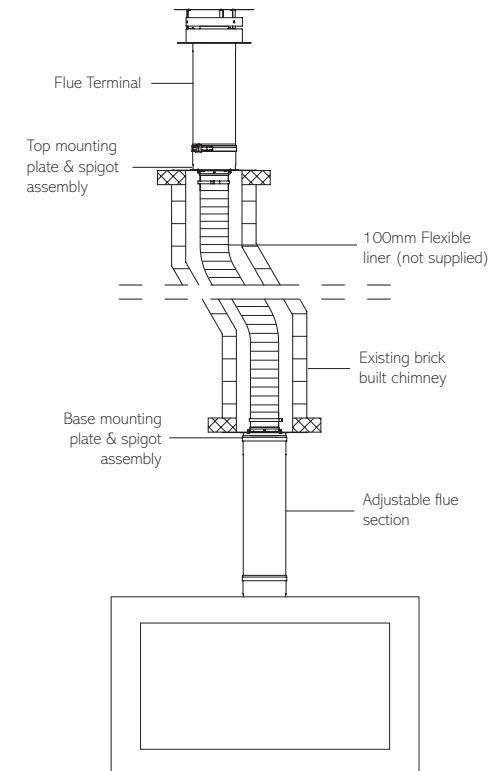


TOP FLUE VERTICAL KITS FOR 6" REFLEX 105 NATURAL GAS & 8" REFLEX 105 LPG BALANCED FLUE



CHIMNEY RENOVATION KITS FOR 6" REFLEX 105 NATURAL GAS AND 8" REFLEX 105 LPG BALANCED FLUE FIRES

These innovative kits allow balanced flue Reflex 105 fires to be installed into an existing fireplace opening, the Reflex 105 has the option of either a single liner that uses the masonry chimney to bring in air, or a two-liner installation. Please note, due to their different flue collar sizes, 6" natural gas and 8" LPG Reflex 105 balanced flue fires require different renovation kits. Your retailer will be able to advise on your specific requirements.





Reflex 105 Sorrento in Natural Limestone with Brick-effect lining.



Gazco Limited, Osprey Road, Sowton Industrial Estate, Exeter, Devon, England EX2 7JG
Tel: 01392 261999 • Fax: 01392 444148 • E-mail: info@gazco.com • www.gazco.com



Colours / Flame pictures

Owing to variations in studio lighting & printing inks, the finishes/colours of fires illustrated in this brochure may differ slightly from actual models. Before purchasing, please ask your retailer to show you finish samples.

All flame pictures shown in this brochure are taken from real fires. Please note however that flame pictures will vary depending on flue conditions and surrounding geographical features. Some of the photography in this brochure may not comply with the requirement of the latest building regulations given as these are subject to constant change. You should always check your proposed installation arrangement with a qualified gas installer before proceeding.

Find Your Expert Retailer

You can find your nearest retailer by visiting:

www.gazco.com/find-a-retailer



Your Gazco stockist:

£2.00

Ref: REFLEXADM0819

