



F2 FIRES



# Wood

**Manufactured in cast iron, our range of wood fireplaces combines traditional design and modern technology for a beautiful and efficient solution.**



**F2 FIRES**

By **PAUL AGNEW** | **DESIGNS<sup>®</sup>**



# Features

- Versatile contemporary style
- Vermiculite lined
- Integrated handle
- British design
- Manufactured to British quality assurance
- Defra approved
- Certified and tested to European Standards (BS EN 13240)
- Suitable for 12mm hearths
- Stunning flame picture
- Schott Robax® glass fronted door

Designed and built to the following standards and certifications:



**defra**  
approved





# Vue Landscape 5kW Multi-Fuel

## About the stove

The Vue Landscape is a beautifully crafted traditional cast stove. With a 5kW heat output it is a highly versatile stove.

Crafted using the finest materials, we believe this stove is the perfect finish to modern living, whilst giving a nod towards the traditions of the past.

## Good to know

- Clean contemporary style
- Vermiculite lined
- Integrated handle
- British design
- Manufactured to British quality assurance
- Defra approved
- Certified and tested to European Standards (BS EN 13240)
- Suitable for 12mm hearths
- Stunning flame picture
- Schott Robax® glass fronted door
- Exclusively by Paul Agnew Designs





## Operating Parameters

Nominal heat output 5kW

Ideal operating temperature range 150 - 300°C

Efficiency 80.3% Wood  
82% Anthracite



-  Multi-fuel (Wood and Anthracite)
-  Airwash System Built-In
-  5" Flue Diameter Outlet
-  Top & Rear Outlet



Designed and built to the following standards and certifications:









# Vue Portrait 5kW Multi-Fuel

## About the stove

The Vue Portrait is a beautiful, traditionally styled cast stove.

The Vue portrait is Crafted using the finest materials, The sculptured door gives an excellent view of the fire burning inside. Creating a warm and relaxed atmosphere to enjoy during the long winter months.

## Good to know

- Clean contemporary style
- Vermiculite lined
- Integrated handle
- British design
- Manufactured to British quality assurance
- Defra approved
- Certified and tested to European Standards (BS EN 13240)
- Suitable for 12mm hearths
- Stunning flame picture
- Schott Robax® glass fronted door
- Exclusively by Paul Agnew Designs


## Operating Parameters


Nominal heat output 5kW


Ideal operating temperature range 150 - 300°C


Efficiency 79.3% Wood  
80% Anthracite



 Multi-fuel (Wood and Anthracite)

 Airwash System Built-In

 5" Flue Diameter Outlet

 Top Outlet Only



Designed and built to the following standards and certifications:









# Accona

## 5kW Multi-Fuel

Slider Model

### About the stove

The traditionally styled Accona is designed to fit neatly into a standard builders opening. The Accona introduces classic form with a modern contemporary feel.

A clean styled, flexible model that works with both modern and traditional settings.





### Good to know

- Versatile contemporary style
- Vermiculite lined
- Integrated handle
- British design
- Manufactured to British quality assurance
- Defra approved
- Certified and tested to European Standards (BS EN 13240)
- Suitable for 12mm hearths
- Stunning flame picture
- Schott Robax® glass fronted door
- Exclusively by Paul Agnew Designs

### Operating Parameters

<b>Nominal heat output</b>	5kW
<b>Ideal operating temperature range</b>	150 - 300°C
<b>Efficiency</b>	79.3% Wood 80% Anthracite



-  Multi-fuel (Wood and Anthracite)
-  Airwash System Built-In
-  5" Flue Diameter Outlet
-  Top Outlet Only



Designed and built to the following standards and certifications:









# Vue Landscape 5kW

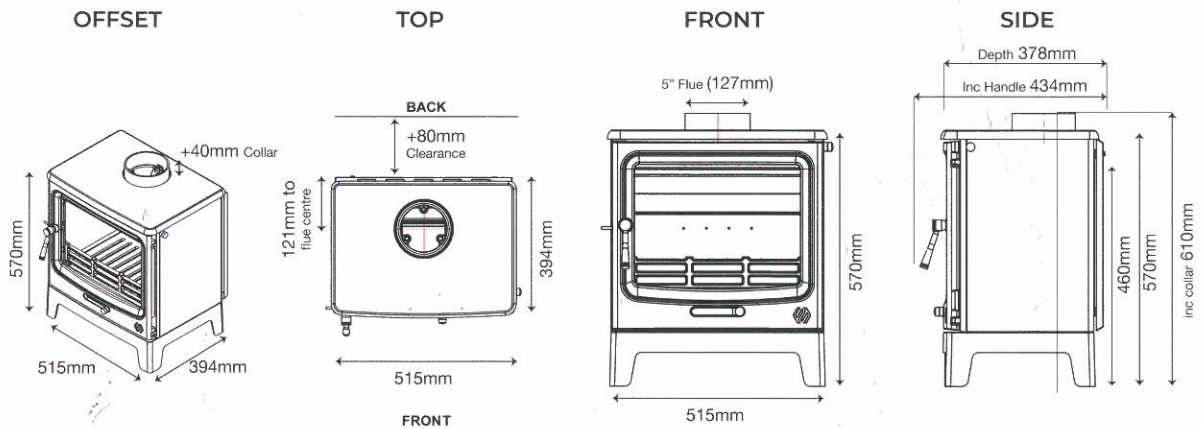
## Multi-Fuel

### Operating Parameters

Nominal heat output	5kW
Ideal operating temperature range	150 - 300°C
Efficiency	80.3% Wood 82% Anthracite

### Dimensions

Width	515mm
Height	570mm
Depth	394mm
Weight	Appliance 75kg Packaging 5kg Combined 80kg



# Vue Portrait 5kW

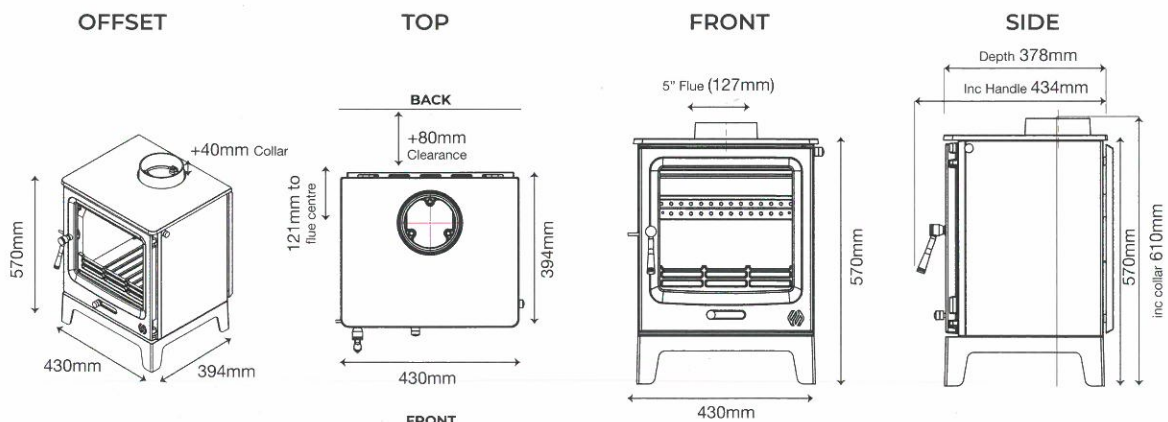
## Multi-Fuel

### Operating Parameters

Nominal heat output	5kW
Ideal operating temperature range	150 - 300°C
Efficiency	79.3% Wood 80% Anthracite

### Dimensions

Width	430mm
Height	570mm
Depth	394mm
Weight	Appliance 75kg Packaging 5kg Combined 80kg





# Vue Accona 5kW

## Multi-Fuel

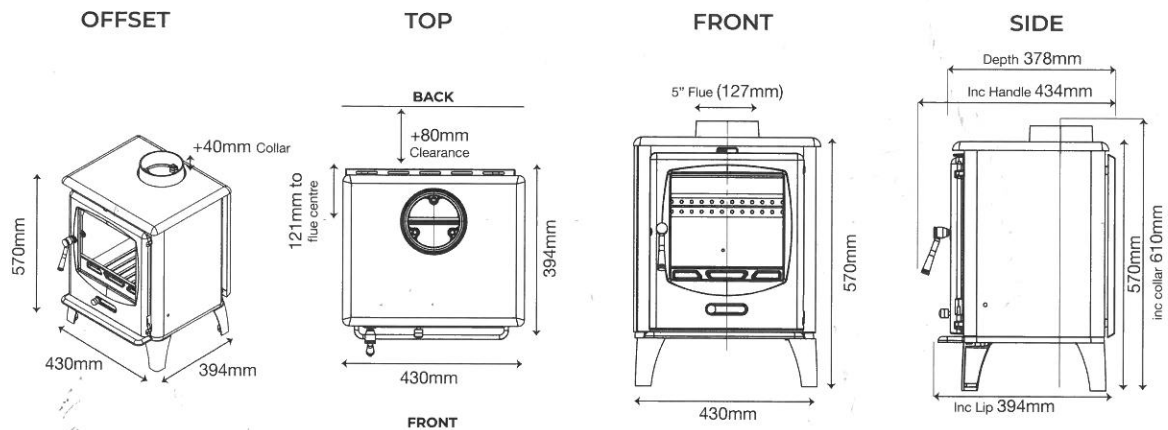
Slider Model

### Operating Parameters

Nominal heat output	5kW
Ideal operating temperature range	150 - 300°C
Efficiency	79.3% Wood 80% Anthracite

### Dimensions

Width	430mm
Height	570mm
Depth	394mm
Weight	Appliance 75kg Packaging 5kg Combined 80kg

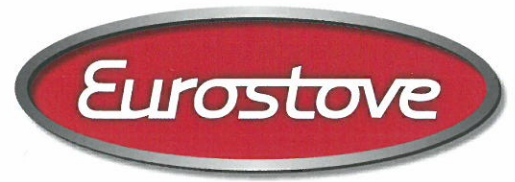


Distance to combustible materials	Side (mm)	Rear (mm)
Vue Landscape	450 (mm)	300 (mm)
Vue Portrait	750 (mm)	750 (mm)
Accona	750 (mm)	750 (mm)

## 5 Year Extended Warranty

If you have purchased your stove from a F2 registered retailer, then your stove will carry a 2 year warranty as standard. The 2 year warranty can be further extended to a total warranty period of 5 years by registering your F2 Stove within one month of the later of the purchase date or installation date. Accordingly, the start date for the warranty period is the date of purchase. During the registration process, the Registered Retailer details will be required for your Extended Warranty to be activated. Any product purchased outside of our registered Retailer Network will carry a standard 12 month, non-extendable warranty. It is a condition of the Extended Warranty that the installation complies with the relevant Building Regulations and is carried out by a suitably trained and qualified individual (HETAS in the UK(solidfuel) Gas Safe (gas) or equivalent in other countries) with the certificate of installation and proof of purchase supplied. Full terms and conditions are detailed in the Warranty Statement on the Eurostove website [www.eurostove.co.uk](http://www.eurostove.co.uk). In the event of any conflict of information the wording on the website shall prevail. **Important Note:** Should any problems be experienced with your product, claims must first be submitted to the Retailer where the appliance was purchased from who will offer immediate assistance or contact Eurostove on your behalf. Please note that this warranty is not transferable and is extended only to, and is solely for, the benefit of the original purchaser of the stove and will therefore only apply when the dated sales receipt as proof of purchase is produced to F2 Stoves Electrical and Gas parts with in the appliance are warranted for 1 year.





## Exclusive UK distributor

Eurostove Ltd,  
Unit H1, Mendip Industrial Estate, Mendip Road  
Rooksbridge, Somerset, BS26 2UG  
Tel: 01934 750500

[www.eurostove.co.uk](http://www.eurostove.co.uk)