



charnwood

EXCEPTIONAL WOOD  
& MULTI-FUEL STOVES





## INTRO

INTRODUCTION	4
WOOD & MULTI-FUEL HEATING	6

## STOVES

<b>SKYE</b>	10
<b>ARC</b>	14
ARC 5	16
ARC 7	18
<b>TOR</b>	20
TOR PICO	22
TOR	24
<b>COVE</b>	26
COVE 1	28
COVE 2	30
COVE 3	32
<b>ISLAND</b>	34
ISLAND I	36
ISLAND II	38
ISLAND IICT	40
ISLAND III	42
<b>BAY</b>	44
BAY 5	46
BAY VL	48
BAY BX	50
<b>C-SERIES</b>	52
C-FOUR	54
C-FOUR INSERT	56
C-FIVE	58
C-SIX	60
C-SEVEN	62
C-EIGHT	64
<b>COUNTRY</b>	66
COUNTRY 4	68
COUNTRY 6, 8 & 12	70
<b>SLX</b>	72
<b>THE BEMBRIDGE</b>	74
<b>BOILERS</b>	76
COVE 2B	80
ISLAND IIIB	82
COUNTRY 16B	84
SLX 45	86

## INNOVATION

FLUE BOILERS	90
CONVERTING GRATE	92
RECIPROCATING GRATE	92
QUATTROFLOW® SYSTEM	92
CENTRAL HEATING CONTROL SYSTEM	92
ASH CARRIER	93
HEATSHIELDS	93
VERTICAL REAR FLUE ADAPTOR	93
EXTERNAL AIR MANIFOLD	93
BLU TECHNOLOGY	93
COLOUR	94
STOVE SELECTOR	94
COMPARISON CHART	95
STOVE GALLERY	96

## SPECIFICATIONS

SKYE	100
ARC	100
BAY	101
THE BEMBRIDGE	101
TOR	102
COVE	102
ISLAND	102
C-SERIES	104
COUNTRY	106
BOILERS	107
SLX	107

## OTHER PRODUCTS

VLAZE	110
BODJ FAIR TRADE	112
ANKI CHIMNEY SYSTEMS	113
CHARNWOOD LIVE FIRE	114



FOLLOW @CHARNWOODSTOVES









## EXCEPTIONAL BRITISH MADE STOVES

---

CHARNWOOD is a privately owned family business based on the Isle of Wight. Established in 1972 we have become one of the foremost stove companies in Europe specialising in the manufacture of fine fires and stoves. As a company we believe in taking a strong ethical approach to every area of our business; whether it be in how we design and build our stoves, how we treat our customers or the impact our products have on the environment.

Our stoves are designed and built to last. Even forty five years after building our first stove there are still many of our original models giving good service as they continue to heat peoples' homes. We believe that this is how it should be; whilst not everybody will want a forty five year old stove it is good to know that an investment in a Charnwood is more than a short term relationship.

Our company ethos includes buying, where possible, from local UK based suppliers. Our stoves are built in our own factory here on the Isle of Wight and are manufactured using a combination of high-tech precision machinery and skilled hand working. We

have employees who have been with us for over 30 years and have seen the company grow from an operation producing a few hundred stoves a year to one making tens of thousands of units that are sold worldwide. Affirming this achievement we were awarded The Queen's Award For Enterprise: International Trade in 2009.

Part of the success of Charnwood has been due to the loyal following of our customers. We always try to give first class service, to look after our customers and to ensure their needs are met. Whether it is for advice on installation, reassurance on operation or the need for spare parts we always strive to put the customer first. As a family business, with ten family members working in the company, we recognise the need for personal attention to detail and we always seek to give just that.

We hope you enjoy reading this publication. In it you will find a wide range of our fires and stoves. Whichever one you choose we can guarantee you years of comfort and warmth, a product designed to bring a hearty welcome into your home.



## WOOD & MULTI-FUEL HEATING

---

*There is nothing quite the same as heating your home with a real Charnwood fire. Not only does the ritual of loading a stove give a greater sense of achievement and satisfaction, it provides a warmth that no other energy source can equal.*

---

THE BENEFITS of a Charnwood are numerous: the stove will 'breathe' allowing the heat to seep into the very fabric of your home - the constant source of heat and continual air changes reduce condensation; and by burning renewable fuels such as wood you are participating in a natural cycle that is of great benefit to our environment.

We at Charnwood have unrivalled in-depth knowledge of real-fire heating and continue to invest a great deal of time and money into innovative stove design and development. Our appliances are a result of our intense research and over the years we have been at the forefront of the new generation of clean burning ultra efficient stoves. These are advanced appliances that deliver a reliable burn providing warmth to the whole of your property and all with an amazing degree of control, economy and environmental friendliness. The bodies of our stoves are British built from the best combination of materials for durability

and design aesthetics: plate steel, cast iron, fire brick and ceramic glass. These materials offer the best in strength and versatility with excellent heat retention properties. They also allow the stove to be tightly sealed ensuring optimum control over the burning rate - close down the air supply for a gentle burn or open it right up for an intense, blazing fire. The throat plate on all of our models can be taken out with ease, enabling the cleaning of the flueways and the chimney without the inconvenience of removing other internal fireparts. All our stoves are designed and tested to EN 13240:2001 and EN13229:2001, ensuring the very best in efficiency, safety, design and construction. *When purchased through an official, authorised stockist the bodies of our stoves qualify for our enhanced 10 year guarantee (with the exception of our boiler models which are guaranteed for 3 years) and upon registration we will send you a stove care pack. Visit our website for further details or speak to your stockist.*







**VERSATILITY** A centrally located stove can heat a home of moderate size or for larger homes our range of flue boilers, add-in boilers or central heating models can provide full home heating including domestic hot water. Within the Charnwood range there is a model to suit every home and individual requirement. For the ultimate in contemporary home heating we offer the Skye (page 10), Arc (page 14), Tor (page 20), the Cove collection (page 26) and the Bay (page 44). For a classic interior we offer the Island (page 34), the C-Series (page 52) and The Bembridge (page 74). For traditional homes we have the Country range of stoves (page 66) or for a more modern feel we offer the SLX (page 72).

**CLEAN-BURN AIR-WASH** All the wood-burning and multi-fuel stoves featured in this brochure incorporate the latest clean-burn and air-wash technology. This means when burning your choice of fuel the volatile by-products emitted by the initial burning are re-ignited and burnt again in the fire. This double combustion drastically reduces emissions and ash deposits and delivers even more warmth to your room. Altogether a cleaner home, a cleaner chimney and much cleaner for our environment. In addition to this, the clean-burn airwash also keeps the glass doors beautifully clear, giving you an uninterrupted view of the fire.

**SIA ECODESIGN READY** Many of our stoves also incorporate our new *Blu* technology: an ultra clean burn that produces minimal particle and CO emissions.

*Blu* technology complies with the new Ecodesign criteria which is a new European-wide programme to lower emissions and improve air quality. Ecodesign will become mandatory for all stoves by 2022 and all our *Blu* stoves carry the label ‘SIA Ecodesign Ready’ which are independently verified by The Stove Industry Alliance and HETAS. They are the most environmentally friendly stoves available on the market today and benefit from:

- *Low Particle Emissions: 90% better than open fires, and between 80-84% better than older stoves*
- *Low co emissions*
- *High efficiencies*
- *Improved flame picture*



**ENVIRONMENT** Governments throughout the world are committed to reducing CO<sub>2</sub> emissions and with a Charnwood you too can play a part in this.

When you burn wood on a highly efficient stove you reduce the need for other forms of heating and in turn do your bit to save fossil fuels, CO<sub>2</sub> emissions and the planet!

As well as the environmental benefits a Charnwood stove also gives you the freedom from dependence on the large energy utilities. At a time when there is increasing concern over stability of supply throughout the world it is nice to know that a Charnwood gives, in a most beautiful way, that certainty of warmth during periods of interrupted supply.



# STOVES

---

WOOD AND MULTI-FUEL

*unrivalled and uncompromised*





# charnwood SKYE

*Refreshingly simple to use with an exceptional clean burn*

The Charnwood Skye is a state-of-the-art stove with a remarkably efficient combustion system. It's innovative burn technology ensures efficiencies of up to 86% and exceeds the new Ecodesign standards and Clean Air Act requirements; allowing wood to be burnt cleanly in smoke control areas. As thoughtful in style as it is in function the Skye has a refreshing design aesthetic – it is classically minimal with landscape proportions and a soft modern edge.

*The Skye's clean design features a seamless flue connection and convection panels to reduce distances to combustible materials; allowing installation into tight spaces.*

*Flexible fuel choice with an adjustable converting grate for wood and smokeless fuels.*

*Simple to operate with one single air control using the patented Quattroflow® air management system.*



The Skye has been independently certified to conform to EN 13240:2001 and meets the UK building requirements for installation with a 12mm non-combustible hearth.







## skye 5

The Charnwood Skye 5 is our most efficient wood burning and multi-fuel stove to date. With a rated output of 5kW it delivers a comfortable 2-5kW of heat to the room with an exceptional clean burn. The simple, modern styling of the Skye ensures it looks equally as good in a freestanding situation as it does in a fireplace.





# charnwood ARC

---

*The stove of a new generation: clean, green and fuel efficient*

---

The Charnwood Arc is a revolutionary new multi-fuel stove. It simplifies the process of burning wood and smokeless fuels setting the bench mark for a new generation of modern, clean-burning stoves.

Engineered from the very best combination of materials the Arc utilises years of research and development into low emission burning.

Beneath the Arc's clean, modern lines lies an innovative new combustion system that ensures the stove burns exceptionally clean with outstanding efficiencies of over 80%. So much so the Arc is SIA Ecodesign Ready and designed to meet Clean Air Act requirements.

The Arc is available in two sizes: a 5kW and 7kW both in a choice of eight colours and in two stand variations: low or with a store stand.

**CE** *The Arc has been independently certified to conform to EN 13240:2001 and meets the UK building requirements for installation with a 12mm non-combustible hearth.*



---

*Convection panels reduce rear distance to combustibles to 80mm allowing installation into tight spaces.*

---

*Flexible fuel choice with our adjustable converting grate for wood and multi-fuel (see page 92).*

---

*Simple to use with single air control, our patented Quattroflow<sup>®</sup> air management system and integrated external air connection (see page 92 & 93).*



## arc 5

The Charnwood Arc 5 produces between 2-7kW of heat with a rated output of 5kW. Operated by one single air control the combustion system drastically reduces emissions and gives a superior flame pattern. The Arc's pared down simplicity makes for a thoroughly stylish option for modern urban settings as well as more traditional homes. See pages 100 and 94 for full specifications and colour options.







## arc 7

The Charnwood Arc 7 is the latest addition to the Arc range. With an output of 7kW it is particularly suited to larger rooms or open plan areas. It is a true multi-fuel stove with exceptional clean burn technology. The Arc 7's contemporary design features an inverted flue collar for a seamless flue connection. See pages 100 and 94 for full specifications and colour options.







# charnwood TOR

---

*Beautiful, intelligent burning offering a spectacular view of the fire*

---

The Charnwood Tor is a modern contemporary stove designed for wood burning. Three gently curved glass panels offer a spectacular view of the fire from the front and from the sides whilst a highly advanced combustion system ensures exceptional clean burning and outstanding efficiency. The Tor is available in 2 sizes: The Tor (3-10kW) and The Tor Pico (2-7kW). Both models employ the latest smoke reducing technology - allowing wood to be burnt in smoke control areas.





*Optional bevel edged stone top gives an alternative look and also stores heat.*

*Cool-to-touch handle for safe and easy re-loading.*

*Charnwood's renowned riddling grate for optimum burning efficiency and clean de-ashing directly into an ingenious combined ash pan and carrier for safe and dust free disposal.*

*Charnwood's patented Quattroflow<sup>®</sup> air management system. One simple control to introduce air to just the right places and in just the right amounts. Simply pull out to burn faster or push in to slow it down (see page 92).*



The Tor and Tor Pico are designed and built to conform to EN13240:2001 and meet the UK building requirements for installation with a 12mm non-combustible hearth.

## TOR PICO

The Charwood Tor Pico is the smallest within the Tor range delivering 2-7kW to the room. With a rated output of 5kW it is, in certain situations, exempt from the British building regulation to have an additional air supply into the room. However for further comfort and efficiency the Tor Pico incorporates an integrated external air connection. See pages 102 and 94 for full specifications and colour options.



TOR PICO



TOR (see page 24)





## TOR

The original Charnwood Tor delivers a respectable 3-10kW of heat to your room with a rated output of 8kW. The Tor is designed to maximise the view of the fire whilst simplifying the wood burning process. See pages 102 and 94 for full specification and colour options.



TOR PICO (see page 22)



TOR





# charnwood COVE

---

*Optimum performance with a soft, contemporary aesthetic*

---

The Cove collection is one of Charnwood's most revered range of wood burning stoves: a union of the very best features of our past and present stoves finished with a soft contemporary edge. One single, curved door offers a breathtaking view of the fire whilst its highly advanced combustion system ensures optimum efficiency and an exceptionally clean burn - more heat from less fuel.

Whilst the Cove is sophisticated in design, it is incredibly simple to operate. One multi-functional tool is used to open the door, de-ash and empty. It features Charnwood's un-rivalled multi-fuel converting grate, advanced clean burn technology and the patented Quattroflow® air management system (see page 92). An optional external

air kit is also available enabling an outside air supply to be channelled directly into the stove through the rear of the Quattroflow® box (see page 93). The Cove stove is available in three sizes with a choice of five base options and eight Charnwood Colours (see page 94). Optional convection panels are also available for each of the stoves. These gently convect heat into the room and reduce the side distances to combustables to 250mm. The panels are available in Charnwood's standard stove colours and a gloss black vitreous enamel finish allowing you to customise by mixing it up with contrasting colours. Smoke reducing (sr) models are also available within the Cove range. These appliances meet Clean Air Act requirements - allowing wood to be burnt in smoke control areas.





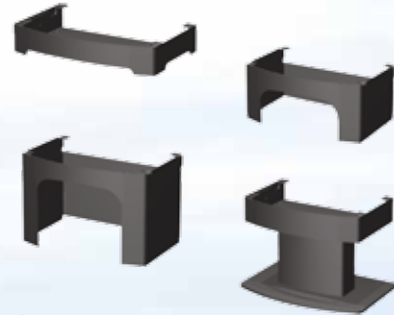
*Optional side convection panels & rear heat shield*



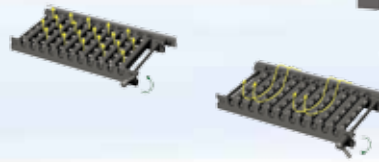
*Three outputs*



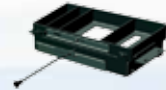
*Five base options*



*Converting grate*



*Quattroflow<sup>®</sup> air management system*



**CE** All Cove stoves have been independently certified to conform to EN 13240:2001 and meet the UK building requirements for installation with a 12mm non-combustible hearth.



## COVE 1

The Cove 1 is the smallest in the Cove family. With simple clean lines and a single door, giving an excellent view of the fire, the Cove 1 is ideal for the smaller room. With its fully controllable Quattroflow® air management system it provides between 2 and 6kW of heat with superb efficiency. With a rated output of 4kW the Cove 1, in certain situations, can be installed without the need for external air. The colour (see page 94), base options and convection panels make this a very versatile stove setting new standards in the small stove arena.

The Cove 1sr is a separate smoke reduction model that meets Clean Air Act requirements making it exempted for burning wood in smoke control areas.







## COVE 2

With its gentle curved door and soft lines the Charnwood Cove 2 creates a powerful focal point for any room. It delivers a respectable 8kW of heat with a maximum output of 11kW. The base options (as pictured opposite) give the stove five very different looks. The low stand and low arch are perfect for fitting the appliance into a standard fireplace opening whilst the store stand and centre stand are ideal for a large inglenook or a freestanding situation. Optional convection panels are also available.



*A wood burning only Blu model that is Ecodesign Ready is also available.*





## COVE 3

The Charnwood Cove 3 is the largest stove in the Cove range. With a rated output of 12kW and a maximum of 16kW it is ideally suited to a larger room, hall or open plan area. The Cove 3 is able to take a log length of up to half a metre and with its tall curved door offers a spectacular view of the fire. Once again it comes with a versatile choice of five base options, convection panels and eight colour ways to suit different situations.



*Opposite: Almond Cove 3 with store stand. Above L-R: Cove 3 shown with optional convection panels; with low stand, low arch, midi stand, store stand & centre stand. Further specifications on page 103*



# charnwood ISLAND

---

## *The definitive multi-fuel stove*

---

The Charnwood Island range sets the definitive standard for clean-burning multi-fuel stoves. When this collection was launched it revolutionised multi-fuel home heating creating the benchmark in environmentally clean-burn, single controlled stoves. The result is highly sophisticated simplicity. What sets the Island stoves apart from all other multi-fuel stoves are its unique and exceptional features:

- *One simple air control - the Quattroflow® - push in to burn slower; pull out to burn faster.*
- *A 'cool to touch' handle for safe and easy reloading.*
- *The ultimate converting grate for burning your chosen fuel at optimum efficiency (see right).*

- *Clean-burn, air-wash system using preheated air for combustion purposes which ensures clean glass & reduced emissions.*

- *Firebrick lined and made from the best combination of 5 and 10mm plate steel, cast iron and ceramic glass.*

- *Drop-down throat plate for enabling the chimney to be swept through the stove.*

- *The ability to burn wood logs in smoke control areas if fitted with a smoke reduction kit.*

The Island stove is available in three sizes, with an option of high legs or a store stand and in a choice of eight Charnwood Colours (see page 94)







*Optional side convection panels & rear heat shield*



*Three outputs*

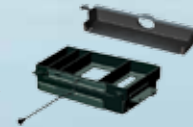
*Store stand & High leg options*



*Converting grate*



*Quattroflow® air management system*



All Island stoves have been independently certified to conform to EN 13240:2001 and meet the UK building requirements for installation with a 12mm non-combustible hearth.

## ISLAND I

The Charnwood Island I is the smallest stove in the Island collection. Its uncomplicated looks and gentle curves ensure it sits well in any situation; be it modern or traditional. Delivering an output of 2-7kW of heat it can take a log length of up to 370mm (14.5"). Optional convection panels are also available. With a rated output of 5kW the Island I, in certain situations, can be installed without the need for external air. For further specifications and colour options turn to pages 102 & 94. This stove can burn wood logs in smoke control areas if fitted with a smoke reduction kit (contact your local stockist for details).







## ISLAND II

The Charnwood Island II is the middle stove in the Island collection. With a slightly larger view of the fire it still retains its clean-line proportions while producing a rated 8kW of heat to the room. Optional convection panels are also available and it can take a log length of up to 440mm (17"). For further specifications and colour options turn to pages 102 & 94. This stove may burn wood logs in smoke control areas if fitted with a smoke reduction kit (contact your local stockist for details).



*A wood burning only Blu model that is Ecodesign Ready is also available.*









## ISLAND IIct

The Island IIct is based on the successful Island II and features a built in soap stone cooking top under a removable steel plate that doubles as an easy-clean splash back when you cook. The stove was designed for the increasingly popular open-plan living areas in today's homes - merging the boundaries of cooking, dining and lounging. This stove may burn wood logs in smoke control areas if fitted with a smoke reduction kit (contact your local stockist for details).



Opposite: Black Island IIct with high legs  
Above, L-R: standard Island IIct, with high legs, with store stand.

## ISLAND III

The Charnwood Island III is the largest stove in the Island collection. Its majestic proportions make it ideal for larger rooms and open plan areas. Exuding a rated 12kW of heat, this is a stove that can take an incredible log length of over half a metre. The Island III offers a spectacular view of the fire. A true wide-screen experience. Optional convection panels are also available. For further specifications and colour options turn to pages 103 & 94. This stove may burn wood logs in smoke control areas if fitted with a smoke reduction kit (contact your local stockist for details).



*A wood burning only Blu model that is Ecodesign Ready is also available.*





# charnwood BAY

---

*A modern insert or freestanding fire with innovative clean burn technology*

---

The Bay is an award winning wood burning stove from Charnwood. The stove features a large landscape window. Delivering 5kW of heat to the room the Bay features new burn technology and is incredibly simple to operate with one single air control and a cool-to-touch handle.

The Bay is available in two insert options: The original Bay 5 and the clean lined Bay VL.

A freestanding version, the Bay BX is also available. This can either be placed directly on the hearth or on a choice of optional stands.





---

*Built from the best combination of cast iron, plate steel and ceramic glass the Bay is brick lined and is designed for easy installation.*

---

*Cool-to-touch handle and air controls for safe operation and re-fuelling.*



**CE** The Bay 5 and the Bay VL have been independently certified to conform to EN 13229:2001  
The Bay BX is certified to conform to EN 13240:2001









## BAY 5

The Bay 5 is Charnwood's original insert stove. Built from the best combination of cast iron, plate steel and ceramic glass the stove is brick lined and is designed for easy installation. An optional fireplace trim is also available. It is available in a choice of eight colours. This stove meets the Clean Air Act requirements for smoke control exemption; allowing wood to be burnt in smoke control areas.





## BAY VL

The Bay VL is a more contemporary addition to the Bay range. The firebox of the stove is the same as the original Bay 5 but the VL features a large landscape window framed with a sharp edged surround for a more clean lined look.

The Bay VL is available in 8 Charnwood colours plus gloss black vitreous enamel.





## BAY BX

The Bay BX is the latest addition to the Bay range. The firebox and frame of the stove is the same as the Bay VL but features an outer casing transforming the appliance into a freestanding stove. The Bay BX can be installed directly onto a hearth or we offer a choice of three base options to raise the stove up: bench stand, centre stand or store stand. Both the stove and base options are available in eight colours (see page 94).











# charnwood C-SERIES

*Quintessential Charnwood: Classic design with impressive performance*

The C-Series is a range of classically styled wood burning stoves that feature one single air control and an integrated inlet for ducting external air to improve performance and efficiency.

The C-Series stoves deliver an exceptionally clean burn with outstanding efficiency and can be fitted with a drop-in multifuel grate for burning solid fuel and an optional store stand or high legs to raise the stove off the ground. A rear heat shield is also available enabling the stove to be placed closer to the wall.

Our newest addition to this range is the C-Four Insert designed to fit neatly into a standard fireplace.

All C-Series models meet Clean Air Act requirements; allowing wood to be burnt in smoke control areas.



CE All C-Series stoves have been independently certified to conform to EN 13240:2001 and meet the UK building requirements for installation with a 12mm non-combustible hearth.

## C-FOUR

Featuring a large picture window the C-Four is the smallest model in the C-Series delivering a heat output to the room of between 2 to 5.5kW. The stove is steel plate lined and can take a log length of up to 255mm (10"). With a rated output of 4.9kW the C-Four, in certain situations, can be installed without the need for external air. For further specifications and colour options turn to pages 94 & 104. This stove meets Clean Air Act requirements for smoke control exemption; allowing wood to be burnt in smoke control areas.



*A wood burning only Blu model that is Ecodesign Ready is also available.*

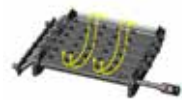






## C-FOUR INSERT

Based on the free standing C-Four this stove is designed to fit into a standard fireplace. Featuring a single air control and an integrated outlet for ducting external air the C-Four Insert burns exceptionally clean with outstanding efficiency. This stove also features our renowned converting grate for efficient multi fuel burning (see page 92) and meets Clean Air Act requirements for smoke control exemption; allowing wood to be burnt in smoke control areas.









## C-FIVE

The C-Five has a similar output to the C-Four but it is built with landscape proportions to take a slightly longer log length; 300mm (12"). The stove is fire brick lined and in certain situations, can be installed without the need for external air due to its rated output of 5kW. For further specifications and colour options turn to pages 94 & 104. This stove meets Clean Air Act requirements for smoke control exemption; allowing wood to be burnt in smoke control areas.



*A wood burning only Blu model that is Ecodesign Ready is also available.*



*Opposite: Black C-Five.  
Above, L-R: C-Five, with store stand, with high legs, optional drop-in grate.*

## C-SIX

The C-Six is a 6.7kW stove delivering between 5 and 7kW of heat to the room. The stove is steel plate lined and can take a log length of up to 255mm (10"). For further specifications and colour options turn to pages 94 & 105. This stove meets Clean Air Act requirements for smoke control exemption; allowing wood to be burnt in smoke control areas.



*A wood burning only Blu model that is Ecodesign Ready is also available.*







## C-SEVEN

The C-Seven, like the C-Five, is built with a wide picture window and landscape proportions to take a longer log length; 380mm (15"). The stove has a rated output of 7.6kW and is fire brick lined. For further specifications and colour options turn to pages 94 & 104. This stove meets Clean Air Act requirements for smoke control exemption; allowing wood to be burnt in smoke control areas.



*A wood burning only Blu model that is Ecodesign Ready is also available.*









## C-EIGHT

The C-Eight is the largest stove in the C-Series. With an 8.3kW output the stove features an impressive portrait picture window and takes a 300mm (12") log. Lined with plate steel the C-Eight is suited to larger fireplaces and living spaces. Further specifications and colour options can be found on pages 94 & 105. This stove meets Clean Air Act requirements for smoke control exemption; allowing wood to be burnt in smoke control areas.



*A wood burning only Blu model that is Ecodesign Ready is also available.*





# charnwood COUNTRY

*A traditional, time-honoured collection*

The Charnwood Country collection is our well established range of traditional wood and multi-fuel burning appliances.

Our Country stoves have acquired an excellent reputation over the years having been installed in tens of thousands of homes across the globe.

The single door Country 4 has gained an almost cult following, whilst the distinct double angled doors, of the other Country models, has established this range as a true classic.

As with all the stoves in this brochure the Country range incorporates superb clean-burn technology for ultra

efficient and eco-friendly home heating. There is a stove in this range for virtually every home heating requirement; from a small room heating stove to a full central heating boiler model.

The Country collection is essentially a range of wood-burning stoves (with the exception of the boiler models which are true multi-fuel stoves). However we do offer an optional reciprocating grate (see page 92). This is an easily fitted, drop in system that converts a Country wood-burner into a multi-fuel stove should you wish to burn smokeless fuels. When installed, solid fuel will burn more efficiently by allowing the air to flow under the fire bed. Its neat, external riddling action and ash pan ensure easy cleaning and keep mess to a minimum.



All Country dry stoves have been independently certified to conform to EN 13240:2001



*Above: Country 6 cutaway showing clean-burn airflow*



## country 4

The Country 4 is the smallest model in the wood & multi-fuel room heating collection, yet still incorporates the ingenious features of the larger stoves. It is a neat, sturdy, yet graceful little fire and with a rated output of 4.8kW can be installed in certain situations, without the need for external air. The single door gives a complete and clear view of the fire and features a spinning primary air wheel for optimum control over the burning rate. In spite of its size, the Country 4 takes a decent sized log length of 330mm (13") making it a very popular choice in the small stove market.

An optional back boiler can be fitted to heat your domestic hot water or a couple of small radiators. We also offer an easily fitted drop-in riddling grate should you wish to burn coal or smokeless fuels. A small clip-on front shelf can also be fitted and we now offer an optional decorative front fence for a more traditional look. The stove is available in a choice of eight Charnwood colours (see page 94) and finished with touches of solid brass and a turned wooden door handle. This stove may burn wood logs in smoke control areas if fitted with a smoke reduction kit (contact your local stockist for details).









## country 6

The Country 6 produces a stunning 6kW of heat. Being the next step up within the Country collection it features large, twin angled doors to optimise the view of the fire. The Country 6 has a robust construction featuring a brick lined fire box with the ability to burn 380mm (15") logs. The detachable tool handle that operates the doors ensures maximum safety. Once again it has the option of a reciprocating grate and a small back-boiler to provide domestic hot water or to heat around two radiators. This model also comes with the option of a clip-on shelf as well as a slide-on canopy for a very different look altogether. Yet again the stove is finished with touches of solid brass and is available in a choice of eight shades of colour (see page 94).



## country 8

The Country 8 has always been a very popular choice of stove, delivering around 8kW of heat to the room. Once again it has large twin doors and comes complete with a fixed front shelf. All the standard features apply: air wash, clean burn technology and brick firebox lining, as well as an optional canopy to transform its looks, riddling grate, back-boiler and choice of colours (see page 94). This is an exceptional stove and, as many existing customers will tell you, an excellent investment to the home. Come back to embracing warmth.



## country 12

The Country 12 is the largest in our Country roomheater range. With a rated output of 12kW it is well suited to a larger room or an open plan area. It blazes with superb, clean-burn, efficiency coupled with minimum mess, leaving your home thoroughly warmed. It takes a large log size of up to 430mm (17"). The options of a slide-on canopy, back-boiler, drop-in riddling grate and choice of colours (see page 94) all apply. As with all the stoves in the Country range the 12 is built from a substantial combination of the best materials and enhanced with touches of solid brass.



*Opposite: Black Country 8. Top row L-R: Country 6, with optional shelf, with optional canopy, optional drop-in grate. Middle row L-R: Country 8, with optional canopy, optional drop-in grate. Bottom row L-R: Country 12, with optional canopy, optional drop-in grate • further specifications on page 106*



# charnwood SLX

---

*Succinct style with superb performance*

---

The Charnwood SLX 20 is a multi-fuel stove with a more contemporary feel and sophisticated operation. It simplifies the real fire process: burning less fuel, more cleanly with maximum efficiency and low emissions all this whilst retaining a simple, stylish look.

The SLX 20 has been carefully designed to get the very best out of the fuel that is burnt. This can be wood, smokeless fuel or briquettes. All these fuels can be burnt at optimum efficiency, on the well-proven Charnwood converting grate. This is the same grate used in our Country 16b and all Cove and Island models: the best grate system on the

market. Simple, clean and highly effective (see page 92). The cast iron and plate steel exterior is finished in either gloss black vitreous enamel or a durable matt stove paint (pictured opposite in almond but also available in other colours - see page 94).

The SLX 20 is purely for room heating delivering up to 5.4kW of heat. It is fully controllable with a built in thermostat to regulate the heat output to the room. Both the inset and freestanding models come with the option of a small add-in-boiler to heat the domestic hot water.







COUNTRY LIVING

# *The Bembridge*

WOOD BURNING STOVE FROM CHARNWOOD

The Country Living Bembridge is an innovative wood burning stove made exclusively for Country Living magazine.

Featuring a removable door handle, one single air control and an integrated inlet for ducting external air, The Bembridge burns exceptionally clean with outstanding efficiency.

The Bembridge meets Clean Air Act requirements for smoke control exemption; allowing wood to be burnt in smoke

control areas. The Bembridge also uses *Blu* technology making it SIA Ecodesign Ready - see page 93 for details.

The stove is available in a choice of five colours including two colours exclusive to Country Living: Soft Green and French Grey.

Other options include a store stand and high legs to raise the stove off the hearth, and a reciprocating grate for ease of cleaning when burning wood.





# BOILERS

---

THE HEART OF THE HOME

*'real fired' central heating systems*





## charnwood BOILERS

---

*Real fired central heating systems with numerous benefits*

---

CHARNWOOD'S range of boiler stoves are designed specifically for those wishing to run a full central heating system. The benefits of a 'real fired' central heating system as opposed to gas, electric or oil are numerous: the constant heat source, elimination of condensation and the continual air changes caused by a 'breathing' heating appliance, are far more beneficial to health and well-being than its counterparts. The high efficiency of these Charnwood boilers also offers significant environmental benefits; producing less  $CO_2$  emissions than an equivalent gas or

oil boiler. As with all our wood and multi-fuel burning models we incorporate an airwash system which will ensure superb clean-burning and a clear view of the fire at all times regardless of what fuels are burnt. The Cove 2B, Island IIIb, Country 16b and SLX stoves also feature our unrivalled riddling grate as standard to allow easy removal of ash. The grate can also be opened slightly to increase burning rate when required. The reputation of our boiler models is unrivalled in the market place and we are widely considered to be the clear market leaders in this field.



**BOILER SIZING** Our boiler stoves conform to the EN13240 standard and we publish these results in the relevant guides. When choosing a boiler stove it is important to find the correct stove for your system and to compare each stove on the same basis. These are some of the factors you should take into account:

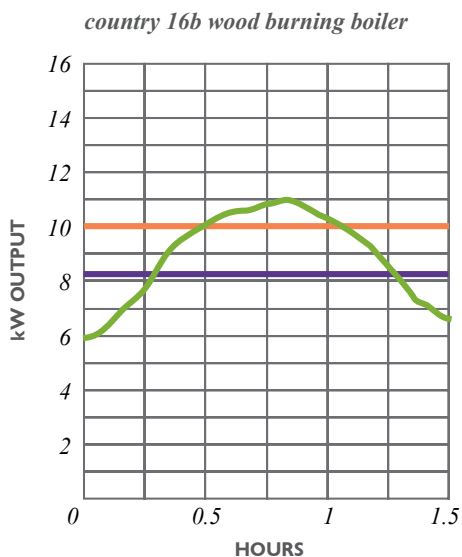
**STOVE OUTPUT:** This is measured in terms of kW output to the boiler and kW output to the room. The outputs quoted are those of the EN13240 test. In the home situation these outputs and the split will be dependant on a number of factors such as:

**Fuel used** - wood generally shows a higher ratio of heat to room (you can see the flame when the fire is turned up therefore more radiant heat is emitted). There are also variations in different types of solid fuel – we generally test on anthracite.

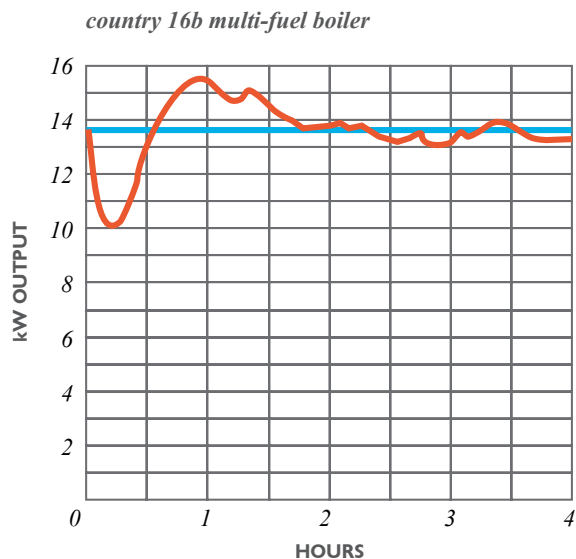
**State of the fire** - in slumber mode there will be a higher heat to the boiler and less to the room. Over time the outputs also vary (see example graphs below)

**Reloading time** - our tests are carried out using reloading times of 1½ hours for wood and 4 hours for solid fuel. If you load more often you will get a higher output, less often will give you a lower output. In reality when your system is cold your loading interval will be shorter. Once the system is up to temperature you will load at much longer intervals as you are just ‘topping’ the system up.

**NUMBER OF RADIATORS:** This is a very rough guide. For solid fuel we assume 3kW for hot water and around 1kW for each radiator. For wood burning we calculate this differently as the burning profile (see graph) is different. **It is very important that you ask your heating engineer to determine the correct size** – for example in some calculations the Country 16b can be said to heat up to 17 radiators. As you can see, unlike a gas or oil boiler a solid fuel boiler has a lot of different variables which affect its heat output. Therefore when choosing a boiler it is important to consider how the outputs are arrived at. In the UK the HETAS guide allows you to compare heat outputs and refuelling times on tested products. For details on these visit [www.hetas.co.uk](http://www.hetas.co.uk)



- Rated boiler output 8.2kW
- Recommended boiler output to use for system sizing - 10kW
- Typical boiler output over 1.5 hr re-fuelling period



- Rated boiler output 13.7kW
- Typical boiler output over 4 hr re-fuelling period

## COVE 2B

The Cove 2B is the latest addition to Charnwood's unrivalled range of biomass and multi-fuel boiler stoves. Based on our contemporary Cove stove the Cove 2B incorporates a thermostatically controlled integral boiler sufficient to power up to 7 radiators plus domestic hot water. The stove features Charnwood's clean burn air wash system and renowned converting grate (page 92) for optimum fuel flexibility and easy ash removal.

**CE** The Cove 2B has been independently certified to conform to EN 13240:2001 and meets the UK building requirements for installation with a 12mm non-combustible hearth.









## ISLAND IIIb

The Island IIIb wood burning boiler stove is the ultimate in biomass heating. Equipped with the renowned Charnwood converting grate (page 92) for easy ash removal and fully boiler sensitive thermostatically controlled the Island IIIb combines leading edge boiler technology with its exceptional aesthetic design. As an integral boiler stove it is optimised to heat between 6 and 9 radiators plus hot water ensuring exceptional performance. It has a total output of 18kW and also features the 'cool to touch' handle and has the ability to burn logs up to 550mm.

**CE** *The Island IIIb has been independently certified to conform to EN 13240:2001 and meets the UK building requirements for installation with a 12mm non-combustible hearth.*







## country 16b woodburner

THE COUNTRY 16b Woodburner is a fully fledged biomass central heating boiler. The total output is 15.9kW; 8.6kW to the water and 2-8kW to the room. This model will run around 7 radiators and supply all domestic hot water. It features the riddling grate to ensure easy ash removal and Charnwood's standard clean burn technology for ultra efficient burning. This model also features a water-temperature-sensitive thermostatic control which enables this stove to be used alongside sophisticated central heating controls. An optional canopy is also available.



## country 16b multi-fuel

THE COUNTRY 16b Multi-fuel delivers heat suitable for heating domestic hot water plus around 10 radiators. It has a total output of 19.6kW providing 13.2kW to the water and 2-8kW to the room. Once again it is thermostatically controlled with a multi-fuel riddling grate allowing a wide range of solid fuels to be burnt. Its deep fire bed allows solid fuel to be loaded up for excellent overnight burning performance. Despite burning solid fuels this boiler model can still offer significant environmental benefits. For example where a 50/50 mixture of wood and coal is burned the net CO2 emissions can be reduced to less than an equivalent gas, electric or oil boiler.\* Increase the percentage of wood and the savings are even greater.



**CE** The Country 16b wood burning and multi-fuel models have been independently certified to conform to EN 13240:2001 and meet the UK building requirements for installation with a 12mm non-combustible hearth.

\* Taken from 'Multi-fuel Heating & The White Paper' copies available online at [www.charnwood.com](http://www.charnwood.com). Further specifications on page 107. Colour specifications on page 94.



## SLX 45

The SLX 45 has identical looks and features to that of the SLX20, but features a thermostatically controlled, integral boiler that delivers a heat output sufficient to power 8-9 radiators and ample hot water. Because it is fitted with a water temperature sensitive thermostat, heating controls (such as the Charnwood Central Heating Control System - page 92) can be fitted, to give heat precisely when and where it is needed.

Once again it is available as an inset or freestanding appliance with a choice of a matt paint finish (eight colour options - see page 94) or gloss black vitreous enamel.





A black dog, possibly a Labrador Retriever, is sitting on a dirt floor in a rustic, wooden structure. The dog is looking towards the right. In the background, there is a blue wheelbarrow filled with logs. The wall behind the dog is made of vertical wooden planks.

# INNOVATION

SMART STOVE SOLUTIONS

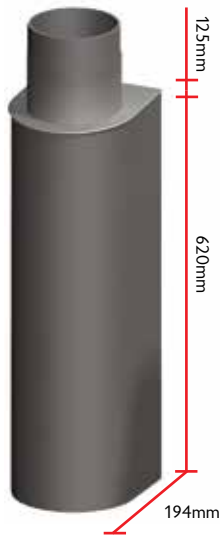
*refining the wood burning process*





## FLUE BOILER

The flue boiler is one of Charnwood's latest home heating innovations. This revolutionary stove addition replaces the first few feet of the standard flue rising from the top of the stove and utilises the excess heat from the appliance that would otherwise be lost. In addition to this because the boiler is external the stove maintains its high clean-burn combustion efficiency. Depending on the size of stove and subsequent flue boiler, outputs of between 1.8 and 3.4 kW can be achieved with minimal effect on the nominal output of the stove. This can provide sufficient heat for domestic hot water and up to 3 radiators. The flue boiler comes in 3 sizes to fit all Skye, Arc, Tor, Cove, Island, C-Series, Bembridge and Country dry models.



125mm (5")

1.8kW nominal output

Heating capacity:  
DHW or 2 rads

Suitable for:  
Skye  
Arc 5  
Cove 1  
C-Four, Five  
Bembridge  
Country 4

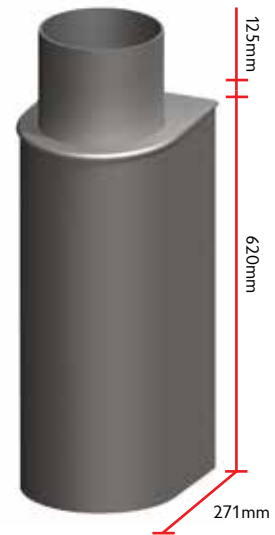


150mm (6")

2.4kW nominal output

Heating capacity:  
DHW + 1 rad

Suitable for:  
Arc 7  
Tor Pico  
Cove 2  
Island I, II  
C-Six, Seven, Eight  
Country 6,8,12



178mm (7")

3.4kW nominal output

Heating capacity:  
DHW + 3 rads

Suitable for:  
Tor  
Cove 3  
Island III





## CONVERTING GRATE

The Charnwood multi-fuel converting grate is the very best grate system on the market. Built into all Skye, Arc, Cove, Island, SLX, C-Four Insert and Country 16b models, the grate can be altered to ensure the most efficient burning conditions. By operating a lever on the side of the stove, with the tool provided, a series of grate bars can be set into a closed, flat bed position (the most efficient way to burn wood) or to an open grate for ultra efficient burning of smokeless fuels. This grate also acts as a highly effective riddling mechanism, neatly dropping the ash into the wall-to-wall pan below for clean disposal. Because the grate is operated externally all of these manoeuvres can be carried out with the doors closed and when the stove is fully loaded and under fire.

**CLOSED POSITION** for wood & peat - allowing a bed of ash to build up to let the air flow across the fire.

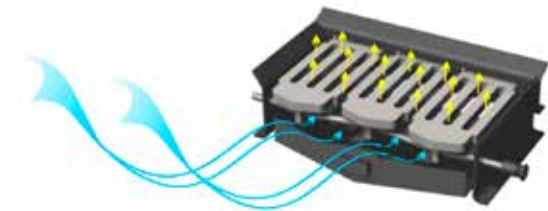


**OPEN POSITION** for smokeless fuels - allowing the air to flow up through the fuel. In this position the open bars facilitate easy ash removal whether burning wood or solid fuel products.



Please note: the converting grate is also built into the Tor, Tor Pico, Island II & III blu and Cove 2 blu but is designed for ash removal only and not multi fuel burning.

## RECIPROCATING GRATE



This is an easily fitted, drop in system that converts a Country or C-Series wood-burner into a multi-fuel stove should you wish to burn smokeless fuels. When installed, solid fuel will burn more efficiently by allowing the air to flow under the fire bed. Its neat, external riddling action and ash pan ensure easy cleaning and keep mess to a minimum.

Please note: the reciprocating grate is also available for The Bembridge and the C-Series blu but is designed for ash removal only and not multi-fuel burning.

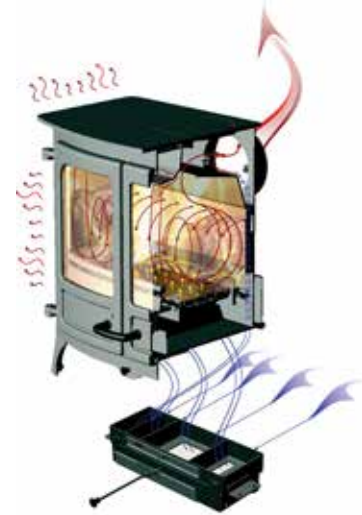
## QUATTROFLOW® AIR MANAGEMENT SYSTEM

This is a revolutionary air management system patented by Charnwood and used on the Skye, Arc, Tor, Cove, Island, Bay, Bembridge and C-Series models. Using a number of air chambers the single control introduces the right amount of air into just the right places for ultra efficient burning and optimum control: pull out to increase the burning rate - push in to slow it down. An outside air supply can be channelled directly into the stove through the rear of the Quattroflow® box.

**1** PRIMARY air vent: the main control for faster/slower burning

**2** SECONDARY air vent for clean glass and double combustion

**3** TERTIARY air vent for optimum combustion efficiency



## CENTRAL HEATING CONTROL SYSTEM



The Charnwood central heating control system is a pre-wired kit suitable for use with all central heating cookers and boilers with a water temperature sensing thermostat. The system gives a fully automatic timed control with built in safety features for your central heating system and can result in significant fuel savings. A high-level pipe thermostat prevents the system boiling by bringing on the pump if the pre-set temperature is reached. The low-limit thermostat cuts out the pump if the water temperature in the boiler falls below the pre-set limit thus cutting down boiler condensation and increasing its life span. The system is completely pre-wired (with exception of the pump cable) comprising of a digital timer, two pipe thermostats, a convenient wiring centre, a cable for the pump and a 13amp plug.



## HEAT SHIELDS AND CONVECTION PANELS

Charnwood's rear heat shields and convection panels are designed specifically for situations where space within the fireplace is limited. The steel heat shield allows minimum rear wall clearances to be reduced. The heat shield is available in a number of sizes for all Cove, Island, C-Series, Bembridge and Country dry models. Speak to your local stockist or visit [www.charnwood.com](http://www.charnwood.com) for further details.



## VERTICAL REAR FLUE ADAPTOR

A vertical rear flue adaptor is available for all Skye, Arc, Island, Cove, C-Series, Bembridge and Country models. This enables you to position the stove further out into the room: away from the wall behind. This will add a depth to the stove of between 115 -196mm depending on the model. Speak to your local stockist or visit [www.charnwood.com](http://www.charnwood.com) for further details.



## EXTERNAL AIR KITS

The external air kits are a range of devices that enable an outside air supply to be channelled directly into your Charnwood stove. As well as providing further comfort and operational efficiency for your stove our air kits help overcome issues where the room requires an additional air supply. They are available for all Skye, Arc, Bay, Tor Pico, Cove, Island, C-Series and Bembridge dry models.



## ASH CARRIERS

For clean, safe and effective disposal of ash, an optional ash-carrier is available for all our Skye, Arc, Cove, Island, C-Series, Bembridge, Country and SLX models.



## CHARNWOOD BLU TECHNOLOGY

Many of our stove models incorporate a new, ground breaking combustion system known as Blu technology. This is the result of years of research and development into air flow and combustion rates. The technology drastically reduces particle and CO emissions making these appliances some of the most environmentally friendly stoves on the market today. All Charnwood Blu stoves exceed the Ecodesign criteria and carry the 'SIA Ecodesign Ready' label. They benefit from:

- **LOW PARTICLE EMISSIONS** 90% better than open fires, and between 80-84% better than older stoves
- **LOW CO EMISSIONS**
- **HIGH EFFICIENCIES**
- **IMPROVED FLAME PICTURE**



By choosing a Blu Charnwood stove that is 'SIA Ecodesign Ready' you are helping to cut harmful emissions and improve air quality. For more information on Ecodesign visit [www.stoveindustryalliance.com](http://www.stoveindustryalliance.com)

# charnwood COLOUR

In addition to the standard Charnwood matt black, we also offer you a choice of seven other shades. It is a simple yet brilliant way to give the heart of your home a new lease of life. Either order your stove in the colour of your choice or purchase one of our paint kits to re-spray the stove yourself whenever you feel like a change.



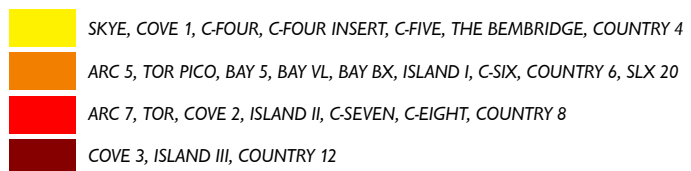
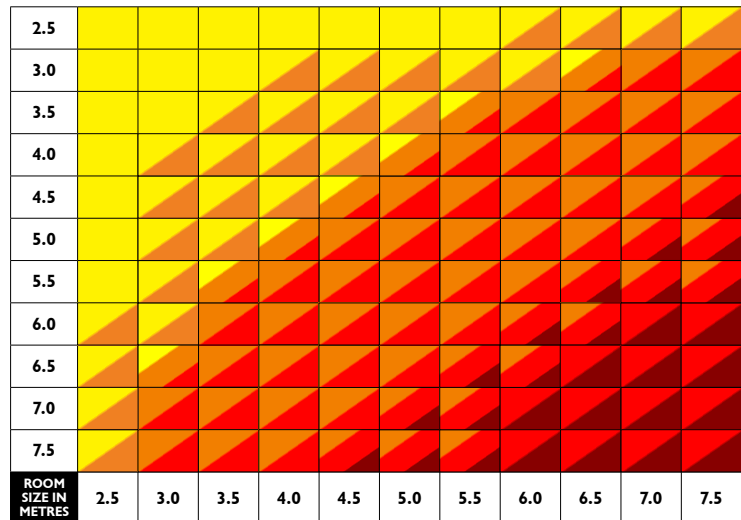
Charnwood Colour is a specially developed, high temperature stove paint formulated for an easy application. It is suitable for the following stoves in the Charnwood range: Skye, Arc, Tor, Cove, Island, Bay, C-Series, Country, Matt finish SLX (Not suitable for the vitreous enamel finish). The Bembridge is available in Black, Almond and Gunmetal and two exclusive Country Living colours (see page 74 for details).

Please note: we have reproduced the colours as faithfully as print will allow therefore the pictures should not be taken as an exact indication of colour.

## CHOOSING YOUR charnwood

When choosing your stove it is important to pick the right size stove for your room by taking into account the RATED OUTPUT: This is the kilowatt output achieved in the European standard tests (EN 13240 and EN13229). Use the chart below or our simple calculator on our website as an initial guide in selecting the most suitable Charnwood stove for your room (dry stoves only). It is based on an outside temperature of  $-1^{\circ}\text{C}$  and a room height of 2.4 metres.

PLEASE NOTE: This is an approximate guide only. Your Charnwood Premier Dealer will be able to advise further.





# charnwood COMPARISON CHART

## STOVE MODEL

FEATURES

	SKYE	ARC 5	ARC 7	TOR PICO	TOR	THE BEMBRIDGE*	BAY 5	BAY BX	BAY VL	COVE 1	COVE 2*	COVE 3*	ISLAND I	ISLAND II*	ISLAND IICT	ISLAND III*	C-FOUR*	C-FOUR INSERT	C-FIVE*	C-SIX*	C-SEVEN*	C-EIGHT*	COUNTRY 4	COUNTRY 6	COUNTRY 8	COUNTRY 12	SLX 20	BOILERS	COVE 2B	ISLAND IIIB	COUNTRY 16B WB	COUNTRY 16B MF	SLX 45			
Converting grate (Multifuel)	Standard	Standard	Standard							Standard	Standard	Standard	Standard	Standard	Standard	Standard	Standard	Standard	Standard								Standard		Standard	Standard	Standard	Standard	Standard			
Converting grate (Woodburning)				Standard	Standard																															
Reciprocating grate (Multifuel)																	Optional			Optional	Optional	Optional	Optional	Optional	Optional	Optional	Optional									
Reciprocating grate (Woodburning)						Optional																														
Quattroflow® / Single control	Standard	Standard	Standard	Standard	Standard	Standard	Standard	Standard	Standard	Standard	Standard	Standard	Standard	Standard	Standard	Standard	Standard	Standard	Standard	Standard	Standard	Standard	Standard	Standard	Standard	Standard	Standard									
Charnwood colour		Optional	Optional	Optional	Optional	Optional	Optional	Optional	Optional	Optional	Optional	Optional	Optional	Optional	Optional	Optional	Optional	Optional	Optional	Optional	Optional	Optional	Optional	Optional	Optional	Optional	Optional	Optional	Optional	Optional	Optional	Optional	Optional	Optional	Optional	
Convection panels	Standard	Standard	Standard							Standard	Standard	Standard	Standard	Standard	Standard	Standard	Standard	Standard	Standard	Standard	Standard	Standard	Standard	Standard	Standard	Standard	Standard									
Vertical rear flue adaptor	Optional	Optional	Optional			Optional				Optional	Optional	Optional	Optional	Optional	Optional	Optional	Optional	Optional	Optional	Optional	Optional	Optional	Optional	Optional	Optional	Optional	Optional	Optional	Optional	Optional	Optional	Optional	Optional	Optional	Optional	
Heat shield	Standard	Standard	Standard	Standard	Standard	Standard				Standard	Standard	Standard	Standard	Standard	Standard	Standard	Standard	Standard	Standard	Standard	Standard	Standard	Standard	Standard	Standard	Standard	Standard									
External air kit	Optional	Optional	Optional	Optional			Optional	Optional	Optional	Optional	Optional	Optional	Optional	Optional	Optional	Optional	Optional	Optional	Optional	Optional	Optional	Optional	Optional	Optional	Optional	Optional	Optional	Optional								
Riddling grate & ash tray	Standard	Standard	Standard	Standard	Standard	Standard		Standard		Standard	Standard	Standard	Standard	Standard	Standard	Standard	Standard	Standard	Standard	Standard	Standard	Standard	Standard	Standard	Standard	Standard	Standard	Standard	Standard	Standard	Standard	Standard	Standard	Standard	Standard	
Soap stone top				Optional	Optional																															
Stand/ leg options	Optional	Optional	Optional			Optional	Optional	Optional	Optional	Optional	Optional	Optional	Optional	Optional	Optional	Optional	Optional	Optional	Optional	Optional	Optional	Optional	Optional	Optional	Optional	Optional	Optional	Optional	Optional	Optional	Optional	Optional	Optional	Optional	Optional	Optional
Stay cool handle	Standard	Standard	Standard	Standard	Standard	Standard	Standard	Standard	Standard	Standard	Standard	Standard	Standard	Standard	Standard	Standard	Standard	Standard	Standard	Standard	Standard	Standard	Standard	Standard	Standard	Standard	Standard	Standard	Standard	Standard	Standard	Standard	Standard	Standard	Standard	
Removable handle						Standard				Standard	Standard	Standard																	Standard	Standard	Standard	Standard	Standard	Standard	Standard	
Thermostat control																													Standard	Standard	Standard	Standard	Standard	Standard	Standard	
Cleanburn	Standard	Standard	Standard	Standard	Standard	Standard	Standard	Standard	Standard	Standard	Standard	Standard	Standard	Standard	Standard	Standard	Standard	Standard	Standard	Standard	Standard	Standard	Standard	Standard	Standard	Standard	Standard	Standard	Standard	Standard	Standard	Standard	Standard	Standard	Standard	
Firebrick lining	Standard	Standard	Standard	Standard	Standard	Standard	Standard	Standard	Standard	Standard	Standard	Standard	Standard	Standard	Standard	Standard	Standard	Standard	Standard	Standard	Standard	Standard	Standard	Standard	Standard	Standard	Standard	Standard	Standard	Standard	Standard	Standard	Standard	Standard	Standard	
Fire plate lining																	Standard		Standard	Standard	Standard	Standard	Standard	Standard	Standard	Standard	Standard									
Drop-down throat plate	Standard	Standard	Standard	Standard	Standard	Standard	Standard	Standard	Standard	Standard	Standard	Standard	Standard	Standard	Standard	Standard	Standard	Standard	Standard	Standard	Standard	Standard	Standard	Standard	Standard	Standard	Standard	Standard	Standard	Standard	Standard	Standard	Standard	Standard	Standard	
Back boiler																												Standard	Standard	Standard	Standard	Standard	Standard	Standard	Standard	
Flue boiler	Optional	Optional	Optional	Optional	Optional	Optional				Optional	Optional	Optional	Optional	Optional	Optional	Optional	Optional	Optional	Optional	Optional	Optional	Optional	Optional	Optional	Optional	Optional	Optional	Optional	Optional	Optional	Optional	Optional	Optional	Optional	Optional	
Front shelf										Standard	Standard	Standard					Standard	Standard	Standard	Standard	Standard	Standard	Standard	Standard	Standard	Standard	Standard				Standard	Standard	Standard	Standard		
Decorative front fence																								Optional												
Canopy																								Optional	Optional	Optional	Optional									
Double doors													Standard	Standard	Standard	Standard	Standard												Standard	Standard	Standard	Standard	Standard	Standard	Standard	
Blu (SIA Ecodesign Ready)	Standard	Standard	Standard			Standard	Standard	Standard	Standard	Standard	Optional	Optional					Optional	Optional	Optional	Optional	Optional	Optional	Optional	Optional	Optional	Optional	Optional									
Clean Air Act Requirements	Standard	Standard	Standard	Standard	Standard	Standard	Standard	Standard	Standard	Optional	Optional	Optional	Optional	Optional	Optional	Optional	Optional	Optional	Optional	Optional	Optional	Optional	Optional	Optional	Optional	Optional	Optional	Optional								
Nominal output to room (kW)	5	5	7	5	8	5	5	5	5	4	8	12	5	8	8	12	4.9	5	5	6.7	7.6	8.3	4.8	6	8	12	5.4		4.6	9	7.3	6.4	3.5			
Nominal output to boiler (kW)																													6.4	9	8.6	13.2	9.4			

 Standard  Optional

\* Please note: the Converting/Reciprocating grates used in the Blu versions of these models are for woodburning only.



Top, Left to Right: C-Four in Almond, Cove 2 on Centre Stand in Gunmetal, C-Four in Brown, Cove 2 on Centre Stand in Bronze, Cove 1 on Store Stand in Black, Island I in Almond, Bay 5 in Gunmetal, Cove 1 on Store Stand in Gunmetal, Island III in Gunmetal, C-Four on Store Stand in Almond, C-Six in Black, Country Living Bembridge in Almond, Country 4 in Black, Tor Pico in Gunmetal featuring Duck Egg Crackle Glaze VLAZE heat shield and Bodj G-Holder log basket, Cove 1 in Brown, Cove 3 on Store Stand in Brown.





Top, Left to Right: Arc 5 in Black, Country 4 in Black, Cove 2 on Store Stand in Black, C-Eight in Almond, Tor Pico in Black featuring Mini Moderns Whitby VLAZE heat shield and Bodj Fat Lip basket, C-Four on Store Stand in Almond, Cove 1 on Store Stand in Gunmetal, C-Four on Store Stand in Almond, Country Living Bembridge on Store Stand in French Grey, Bay BX in Black on Bench Stand in Gunmetal, Cove 1 on Store Stand in Almond, Cove 2 in Almond, Cove 1 on Store Stand in Gunmetal, C-Five on Store Stand in Almond, Island I on Store Stand in Almond, Cove 3 in Black.

SEE MORE @CHARNWOODSTOVES





A rustic wooden structure, possibly a shed or a small cabin, with a corrugated metal roof. Inside, a grey wood-burning stove is lit with a fire. A lantern hangs from the roof, and a brown dress is hanging on the wall. The floor is covered with logs and wood. A framed picture of a bouquet of flowers is on the wall to the right.

# SPECIFICATIONS

FIRES, FACTS AND FIGURES

*the ins and outs of our stoves*







## SKYE 5

This model is SIA Ecodesign ready (Blu) and meets Clean Air Act requirements.

### RATED OUTPUT

**5kW** to room (range 2-7kW)

### NET EFFICIENCY

**86%** Wood, **82%** Solid Fuel

### FLUE OUTLET

Top or Rear **125mm (5")** dia.

### MAX LOG LENGTH

**290mm (11.5")**

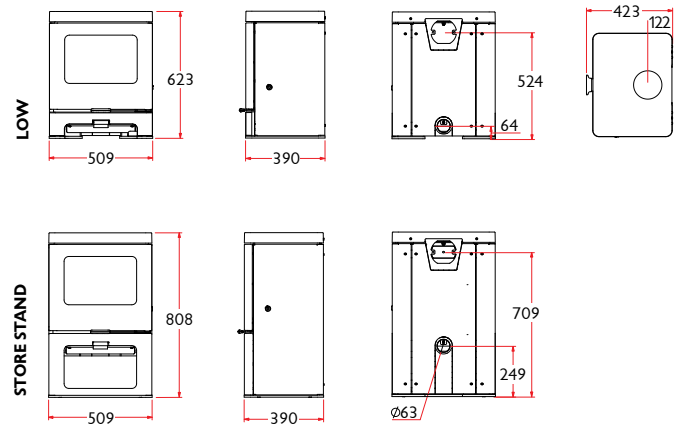
### WEIGHT

**135KG** Low, **155KG** Store Stand

### MIN DISTANCE TO COMBUSTIBLES WITH INSULATED FLUE

Side: **300mm** Rear: **270mm**

With heatshield\* - Side: **300mm** Rear: **90mm**



## ARC 5

This model is SIA Ecodesign ready (Blu) and meets Clean Air Act requirements.

### RATED OUTPUT

**5kW** to room (range 2-7kW)

### NET EFFICIENCY

**81%** Wood, **82%** Solid Fuel

### FLUE OUTLET

Top or Rear **125mm (5")** dia.

### MAX LOG LENGTH

**290mm (11.5")**

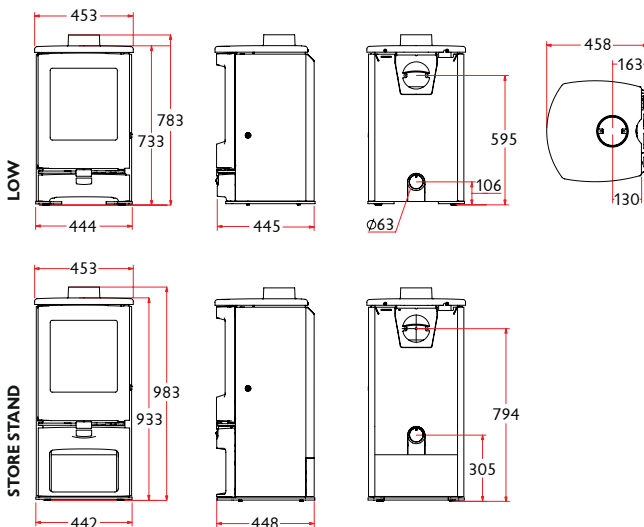
### WEIGHT

**130KG** Low, **150KG** Store Stand

### MIN DISTANCE TO COMBUSTIBLES

Side: **300mm** Rear: **200mm**

With insulated flue: Side: **270mm** Rear: **80mm**



## ARC 7

This model is SIA Ecodesign ready (Blu) and meets Clean Air Act requirements.

### RATED OUTPUT

**7kW** to room (range 5-11kW)

### NET EFFICIENCY

**81%** Wood, **79%** Solid Fuel

### FLUE OUTLET

Top or Rear **150mm (6")** dia.

### MAX LOG LENGTH

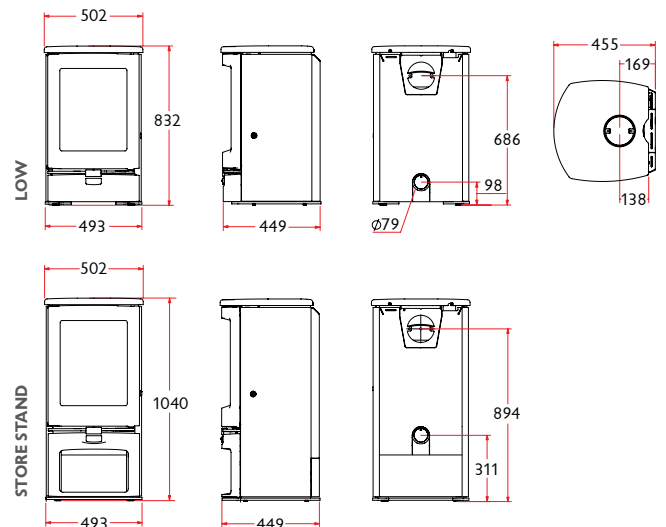
**290mm (11.5")**

### WEIGHT

**150KG** Low, **170KG** Store Stand

### MIN DISTANCE TO COMBUSTIBLES WITH INSULATED FLUE

Side: **270mm** Rear: **150mm**

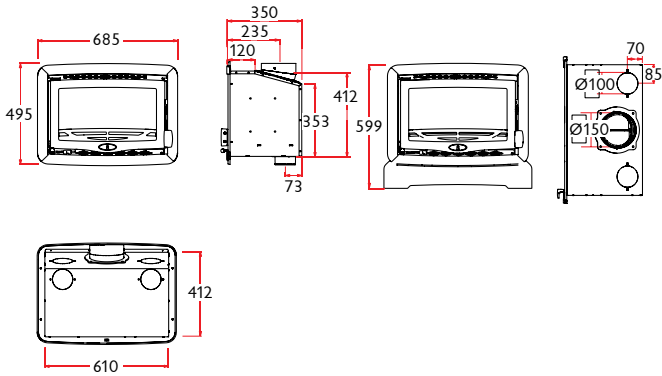




## BAY 5

This model is SIA Ecodesign ready (Blu) and meets Clean Air Act requirements.

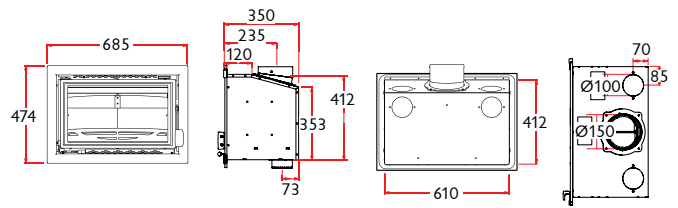
RATED OUTPUT	
5kW to room (range 2-7kW)	
NET EFFICIENCY	
81%	
FLUE OUTLET	
Top only 150mm (6") dia.	
MAX LOG LENGTH	WEIGHT
480mm (19")	85KG
MIN DISTANCE TO COMBUSTIBLES	
Side: 190mm Top: 350mm	See instruction manual for internal casing distances



## BAY VL

This model is SIA Ecodesign ready (Blu).

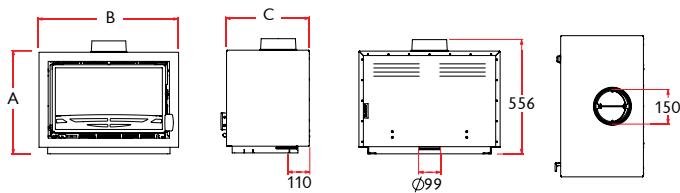
RATED OUTPUT	
5kW to room (range 2-7kW)	
NET EFFICIENCY	
81%	
FLUE OUTLET	
Top only 150mm (6") dia.	
MAX LOG LENGTH	WEIGHT
480mm (19")	94.3KG
MIN DISTANCE TO COMBUSTIBLES	
Side: 190mm Top: 350mm	See instruction manual for internal casing distances



## BAY BX

This model is SIA Ecodesign ready (Blu).

RATED OUTPUT	
5kW to room (range 2-7kW)	
NET EFFICIENCY	
81%	
FLUE OUTLET	
Top only 150mm (6") dia.	
MAX LOG LENGTH	WEIGHT
480mm (19")	80KG
MIN DISTANCE TO COMBUSTIBLES	
Side: 150mm Rear: 270mm	With insulated flue: Side: 100mm Rear: 130mm

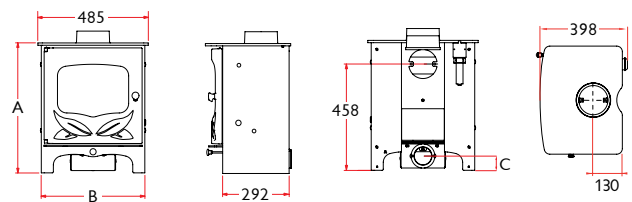


		A	B	C	WEIGHT
FREESTANDING		500	688	403	103KG
STORE STAND		1000	688	500	126KG
CENTRE STAND		910	688	403	136KG
BENCH STAND		1000	1300	500	139KG

## THE BEMBRIDGE

This model is SIA Ecodesign ready (Blu) and meets Clean Air Act requirements.

RATED OUTPUT	
5kW to room (range 2-5.5kW)	
NET EFFICIENCY	
82%	
FLUE OUTLET	
Top or Rear 125mm (5") dia	
MAX LOG LENGTH	WEIGHT
300mm (12")	80KG
MIN DISTANCE TO COMBUSTIBLES	
Side: 500mm Rear: 400mm	See instruction manual for internal casing distances



		A	B	C	WEIGHT
LOW LEGS		560	455	65	80KG
STORE STAND		745	455	250	89KG
HIGH LEGS		765	469	268	83.5KG

## TOR PICO

This model meets Clean Air Act requirements.

### RATED OUTPUT

**5kW** to room (range **2-7kW**)

### NET EFFICIENCY

**79.2%**

### FLUE OUTLET

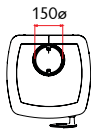
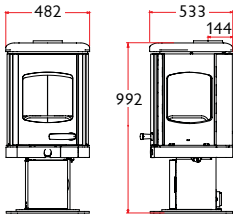
Top only **150mm (6")** dia.

**MAX LOG LENGTH**      **WEIGHT**

**300 mm (12")**      **160KG**

**MIN DISTANCE TO COMBUSTIBLES**

Side: **800mm** Rear: **500mm**



## TOR

This model meets Clean Air Act requirements.

### RATED OUTPUT

**8kW** to room (range **3-10kW**)

### NET EFFICIENCY

**73.1%**

### FLUE OUTLET

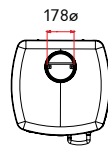
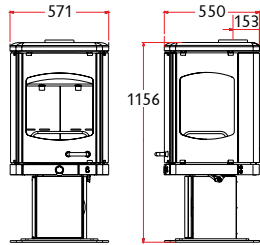
Top only **178mm (7")** dia.

**MAX LOG LENGTH**      **WEIGHT**

**370 mm (14.5")**      **220KG**

**MIN DISTANCE TO COMBUSTIBLES**

Side: **800mm** Rear: **400mm**



## COVE 1

A smoke reduction (sr) model is also available that meets Clean Air Act requirements.

### RATED OUTPUT

**4kW** to room (range **2-6kW**)

### NET EFFICIENCY

**76.5%**

### FLUE OUTLET

Top or Rear **125mm (5")** dia

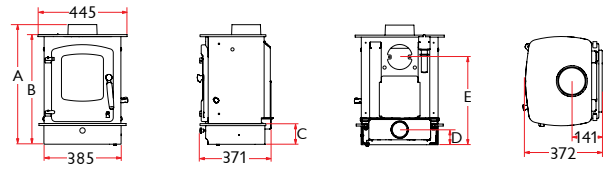
**MAX LOG LENGTH**

**300 mm (12")**

**MIN DISTANCE TO COMBUSTIBLES**

Side: **550mm** Rear: **550mm**

With panels / heatshield\* - Side: **250mm** Rear: **250mm**



RATED OUTPUT		A	B	C	D	E	WEIGHT
LOW STAND		596	546	103	75	437	89KG
LOW ARCH STAND		596	546	103	75	437	89KG
MIDI STAND		723	673	230	202	564	92KG
STORE STAND		795	745	302	274	636	96KG
CENTRE STAND		795	745	302	274	636	104KG

## ISLAND I

This model meets Clean Air Act requirements when fitted with a smoke reduction kit.

### RATED OUTPUT

**5kW** to room (range **2-7kW**)

### NET EFFICIENCY

**77.9%**

### FLUE OUTLET

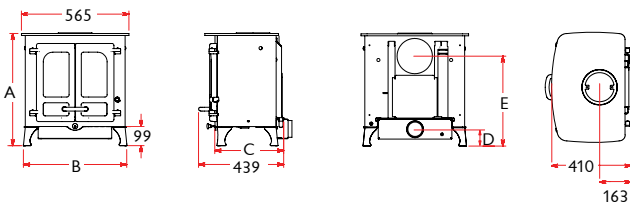
Top or Rear **150mm (6")** dia

**MAX LOG LENGTH**

**370 mm (14.5")**

**MIN DISTANCE TO COMBUSTIBLES**

Side: **350mm** Rear: **350mm**      With panels / heatshield\* - Side: **300mm** Rear: **300mm**



		A	B	C	D	E	WEIGHT
LOW LEGS		579	533	355	87	464	130KG
HIGH LEGS		670	551	331	178	555	133KG
STORE STAND		705	514	299	213	590	139KG

## ISLAND II

This model meets Clean Air Act requirements when fitted with a smoke reduction kit. An Blu SIA Ecodesign ready model is also available.

### RATED OUTPUT

**8kW** to room (range **5-11kW**)

### NET EFFICIENCY

**78% (Blu 79%)**

### FLUE OUTLET

Top or Rear **150mm (6")** dia

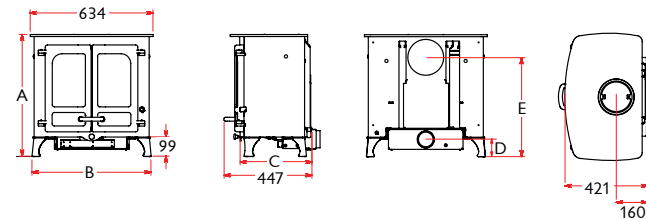
**MAX LOG LENGTH**

**440 mm (17")**

**MIN DISTANCE TO COMBUSTIBLES**

Side: **450mm** Rear: **600mm**

With panels / heatshield\* - Side: **325mm** Rear: **325mm**



		A	B	C	D	E	WEIGHT
LOW LEGS		619	605	365	87	504	140KG
HIGH LEGS		710	622	365	179	595	143KG
STORE STAND		820	584	301	289	705	154KG

## COVE 2

An SIA Ecodesign model (Blu) is also available.

### RATED OUTPUT

**8kW** to room (range 3-11kW)

### NET EFFICIENCY

**74.7%** (Blu 77%)

### FLUE OUTLET

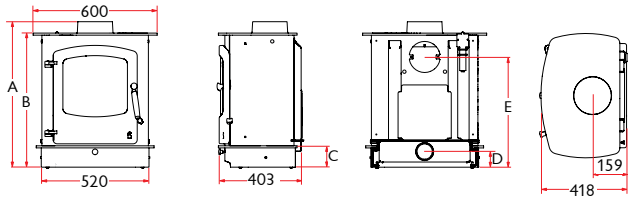
Top or Rear **150mm (6")** dia

### MAX LOG LENGTH

**370 mm (14.5")**

### MIN DISTANCE TO COMBUSTIBLES

Side: **450mm** Rear: **600mm** With panels / heatshield\* - Side: **250mm** Rear: **250mm**



		A	B	C	D	E	WEIGHT
LOW STAND		697	647	103	76	532	127KG
LOW ARCH STAND		697	647	103	76	532	127KG
MIDI STAND		824	774	230	203	659	130KG
STORE STAND		944	894	350	323	779	133KG
CENTRE STAND		944	894	350	323	779	146KG

## COVE 3

### RATED OUTPUT

**12kW** to room (range 7-16kW)

### NET EFFICIENCY

**78.4%**

### FLUE OUTLET

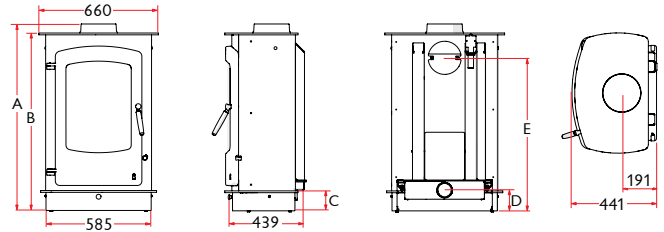
Top or Rear **178mm (7")** dia

### MAX LOG LENGTH

**500 mm (20")**

### MIN DISTANCE TO COMBUSTIBLES

Side: **500mm** Rear: **600mm** With panels / heatshield\* - Side: **250mm** Rear: **250mm**



		A	B	C	D	E	WEIGHT
LOW STAND		1030	980	110	115	844	159KG
LOW ARCH STAND		1030	980	110	115	844	159KG
MIDI STAND		1200	1150	280	285	1014	168KG
STORE STAND		1330	1280	410	415	1144	171KG
CENTRE STAND		1330	1280	410	415	1144	187KG

## ISLAND IICT

This model meets Clean Air Act requirements when fitted with a smoke reduction kit.

### RATED OUTPUT

**8kW** to room (range 5-11kW)

### NET EFFICIENCY

**79%**

### FLUE OUTLET

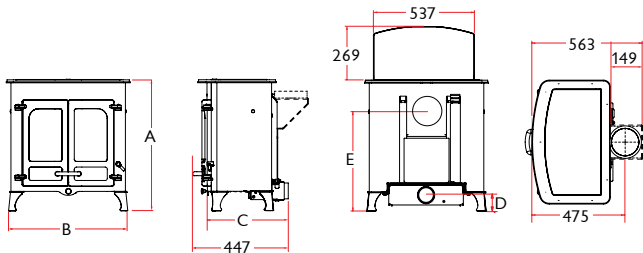
Rear **150mm (6")** dia

### MAX LOG LENGTH

**440 mm (17")**

### MIN DISTANCE TO COMBUSTIBLES

Side: **600mm** Rear: **700mm**



		A	B	C	D	E	WEIGHT
LOW LEGS		668	605	392	87	610	156KG
HIGH LEGS		759	622	392	179	700	159KG
STORE STAND		870	584	392	289	810	170KG

## ISLAND III

This model meets Clean Air Act requirements when fitted with a smoke reduction kit. A Blu SIA Ecodesign ready model is also available.

### RATED OUTPUT

**12kW** to room (range 8-16kW)

### NET EFFICIENCY

**76.4%** (Blu 79%)

### FLUE OUTLET

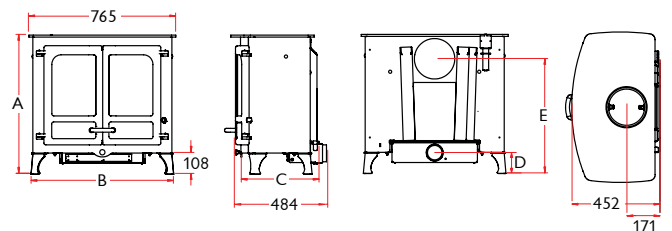
Top or Rear **178mm (7")** dia

### MAX LOG LENGTH

**550 mm (21.5")**

### MIN DISTANCE TO COMBUSTIBLES

Side: **600mm** Rear: **600mm** With panels / heatshield\* - Side: **335mm** Rear: **335mm**



		A	B	C	D	E	WEIGHT
LOW LEGS		713	732	400	107	588	180KG
HIGH LEGS		795	750	400	189	670	184KG
STORE STAND		945	714	309	339	820	197KG



## C-FOUR

This model meets Clean Air Act requirements. An SIA Ecodesign model (Blu) is also available.

### RATED OUTPUT

**4.9kW** to room (range **2-5.5kW**)

### NET EFFICIENCY

**78.3%** (Blu **82%**)

### FLUE OUTLET

Top or Rear **125mm (5")** dia

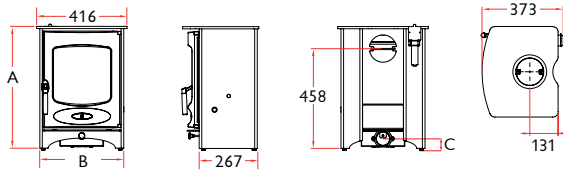
### MAX LOG LENGTH

**255mm (10")**

### MIN DISTANCE TO COMBUSTIBLES

Side: **600mm** Rear: **700mm**

With heatshield\* - Rear: **200mm**



		A	B	C	WEIGHT
LOW LEGS		560	386	45	83KG
STORE STAND		710	386	195	89KG
HIGH LEGS		765	400	248	85.5KG

## C-FOUR INSERT

This model is SIA Ecodesign ready and meets Clean Air Act requirements.

### RATED OUTPUT

**5.0kW** to room (range **2-5.5kW**)

### NET EFFICIENCY

**80.0%**

### FLUE OUTLET

Top **150mm (6")** dia

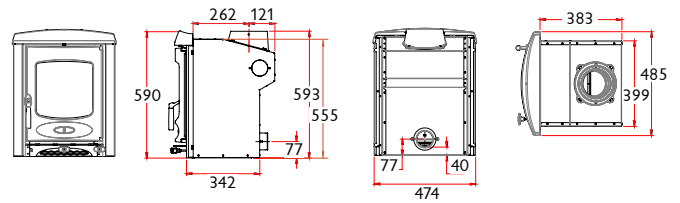
### MAX LOG LENGTH

**255mm (10")**

### MIN DISTANCE TO COMBUSTIBLES

Side: **280mm** Top: **310mm**

See instruction manual for internal casing distances



**WEIGHT**  
**100KG**

## C-SEVEN

This model meets Clean Air Act requirements. An SIA Ecodesign model (Blu) is also available.

### RATED OUTPUT

**7.6kW** to room (range **6-8kW**)

### NET EFFICIENCY

**76.9%** (Blu **79%**)

### FLUE OUTLET

Top or Rear **150mm (6")** dia

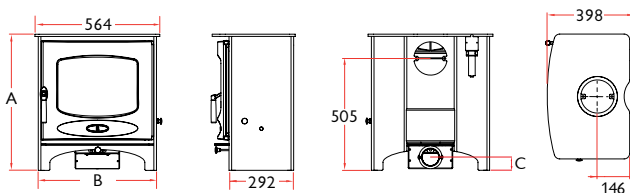
### MAX LOG LENGTH

**380mm (15")**

### MIN DISTANCE TO COMBUSTIBLES

Side: **500mm** Rear: **500mm**

With heatshield\* - Rear: **240mm**



		A	B	C	WEIGHT
LOW LEGS		615	534	59	115KG
STORE STAND		800	534	244	124KG
HIGH LEGS		820	548	269	118.5KG

## C-EIGHT

This model meets Clean Air Act requirements. An SIA Ecodesign model (Blu) is also available.

### RATED OUTPUT

**8.3kW** to room (range **7-9kW**)

### NET EFFICIENCY

**78%** (Blu **81%**)

### FLUE OUTLET

Top or Rear **150mm (6")** dia

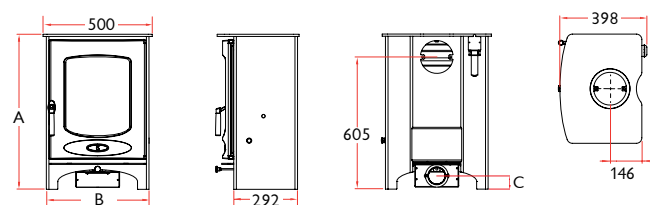
### MAX LOG LENGTH

**300mm (12")**

### MIN DISTANCE TO COMBUSTIBLES

Side: **600mm** Rear: **650mm**

With heatshield\* - Rear: **250mm**



		A	B	C	WEIGHT
LOW LEGS		710	465	61	119KG
STORE STAND		895	470	246	127KG
HIGH LEGS		915	484	268	122.5KG

## C-FIVE

This model meets Clean Air Act requirements. An SIA Ecodesign model (Blu) is also available.

### RATED OUTPUT

**5kW** to room (range **2-5.5kW**)

### NET EFFICIENCY

**75.7% (Blu 82%)**

### FLUE OUTLET

Top or Rear **125mm (5")** dia

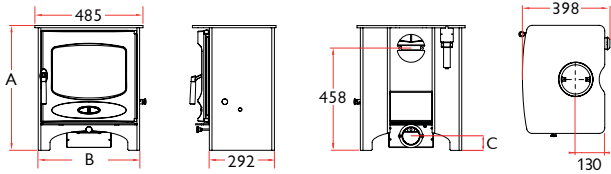
### MAX LOG LENGTH

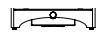
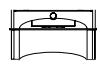
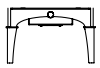
**300mm (12")**

### MIN DISTANCE TO COMBUSTIBLES

Side: **500mm** Rear: **400mm**

With heatshield\* - Rear: **175mm**



		A	B	C	WEIGHT
LOW LEGS		560	455	65	96KG
STORE STAND		745	455	250	104KG
HIGH LEGS		765	469	268	99.5KG

## C-SIX

This model meets Clean Air Act requirements. An SIA Ecodesign model (Blu) is also available.

### RATED OUTPUT

**6.7kW** to room (range **5-7kW**)

### NET EFFICIENCY

**81.9% (Blu 83%)**

### FLUE OUTLET

Top or Rear **150mm (6")** dia

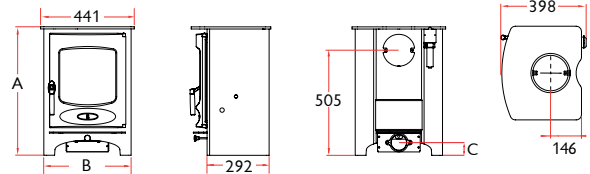
### MAX LOG LENGTH


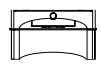
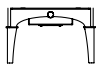
**255mm (10")**

### MIN DISTANCE TO COMBUSTIBLES

Side: **500mm** Rear: **500mm**

With heatshield\* - Rear: **200mm**



		A	B	C	WEIGHT
LOW LEGS		615	411	63	96KG
STORE STAND		800	411	245	105KG
HIGH LEGS		820	425	265	99.5KG



## COUNTRY 4

This model meets Clean Air Act requirements when fitted with a smoke reduction kit.

### RATED OUTPUT

**4.8kW** to room (range **2-5.5kW**)

Optional boiler **2.2kW**

### NET EFFICIENCY

**76.8%**

### FLUE OUTLET

Top or Rear **125mm (5")** dia.

### MAX LOG LENGTH

**330mm (13") \***

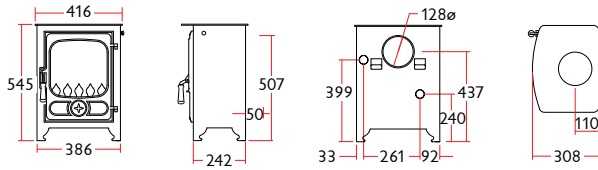
### WEIGHT

**62kg**

### MIN DISTANCE TO COMBUSTIBLES

Side: **600mm** Rear: **700mm**

\* To meet Clean Air Act requirements we recommend a log length of 250 mm (10")



## COUNTRY 6

### RATED OUTPUT

**6kW** to room (range **2-8kW**)

Optional boiler **2.9kW**

### NET EFFICIENCY

**80.5%**

### FLUE OUTLET

Top or Rear **150mm (6")** dia.

### MAX LOG LENGTH

**380 mm (15")**

### WEIGHT

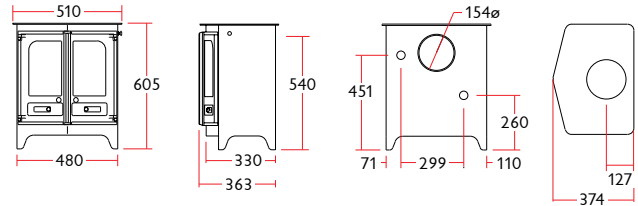
**90kg**

### OPTIONAL CANOPY

Overall **H734 W552 D413mm**

### MIN DISTANCE TO COMBUSTIBLES

Side: **550mm** Rear: **550mm**



## COUNTRY 8

### RATED OUTPUT

**8kW** to room (range **4-11kW**)

Optional boiler **2.9kW**

### NET EFFICIENCY

**79.8%**

### FLUE OUTLET

Top or Rear **150mm (6")** dia.

### MAX LOG LENGTH

**380 mm (15")**

### WEIGHT

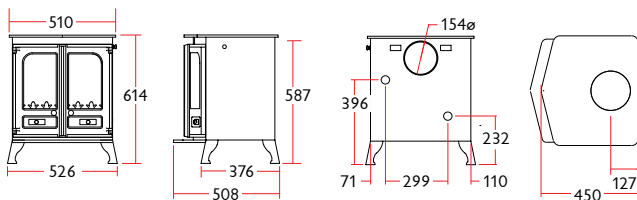
**105kg**

### OPTIONAL CANOPY

Overall **H749 W552 D486mm**

### MIN DISTANCE TO COMBUSTIBLES

Side: **600mm** Rear: **600mm**



## COUNTRY 12

### RATED OUTPUT

**12kW** to room (range **5-14kW**)

Optional boiler **2.9kW**

### NET EFFICIENCY

**74.1%**

### FLUE OUTLET

Top or Rear **150mm (6")** dia.

### MAX LOG LENGTH

**430 mm (17")**

### WEIGHT

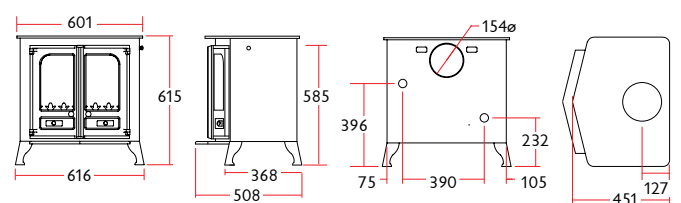
**121kg**

### OPTIONAL CANOPY

Overall **H793 W633 D472mm**

### MIN DISTANCE TO COMBUSTIBLES

Side: **600mm** Rear: **600mm**



PLEASE NOTE: The stove installations photographed within this brochure are intended as a guide only - Installation must be carried out by a competent engineer in accordance with Building Regulations and local by-laws. Full details are shown in the Installation & Operating Instructions which are available on request. Charnwood's policy is one of continuous development and we reserve the right to change sizes & specifications without notice. All Charnwood stoves have been independently certified to conform to EN 13240:2001 (EN 13229:2001 in the case of the Bay). All Arc, Tor, Cove, Island, C-Series, Bembridge and Country 16B stoves meet the UK building requirements for installation with a 12mm non-combustible hearth.



\* The heatshield minimum distance figure is taken from the back of the stove and based on an appliance fitted with twin wall insulated flue.

Full dimensional drawings of the optional canopies and details of other accessories are available on request.



## COVE 2B

Stand options available. See page 81

### RATED OUTPUT \*Wood \*Anthracite

Room **4.6kW** (range 2.5kW) / Boiler **6.4kW**

Room **7.1kW** (range 2.8kW) / Boiler **9.3kW**

### HEATING CAPACITY \*Wood \*Anthracite

DHW & approx. **5 radiators / 7 radiators**

Also suitable for underfloor heating

### NET EFFICIENCY

**74.6% / 76.5%**

### FLUE OUTLET

Top or Rear **150mm (6")** dia

### MAX LOG LENGTH

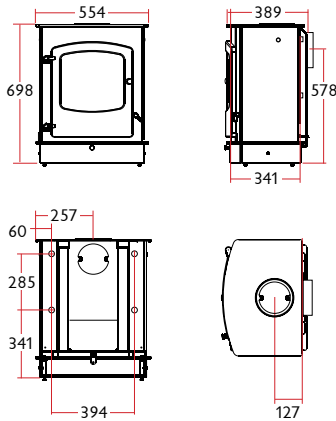
**370mm (14.5")**

### WEIGHT

**145kg**

### MIN DISTANCE TO COMBUSTIBLES

Side: **100mm** Rear: **100mm**



## ISLAND IIIB

Stand options available. See page 81

### RATED OUTPUT

To room **9kW** (range 4-9kW)

To int. boiler **9kW**

### HEATING CAPACITY

DHW & approximately **6-9 radiators**

Also suitable for underfloor heating

### NET EFFICIENCY

**73.3%**

### FLUE OUTLET

Top or Rear **178mm (7")** dia

### MAX LOG LENGTH

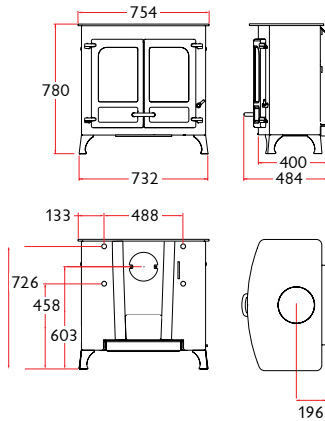
**550mm (21.5")**

### WEIGHT

**190kg**

### MIN DISTANCE TO COMBUSTIBLES

Side: **200mm** Rear: **120mm**



## COUNTRY 16B WOOD BURNER

Optional Canopy: Overall dims

H928 W633 D472mm

### RATED OUTPUT

To room **7.3kW** (range 2.8kW)

To int. boiler **8.6kW**

### HEATING CAPACITY

DHW & approximately **7 radiators**

Also suitable for underfloor heating

### NET EFFICIENCY

**75%**

### FLUE OUTLET

Top or Rear **150mm (6")** dia.

### MAX LOG LENGTH

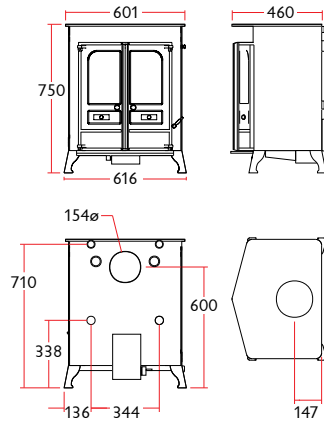
**400 mm (16")**

### WEIGHT

**180kg**

### MIN DISTANCE TO COMBUSTIBLES

Side: **150mm** Rear: **150mm**



## COUNTRY 16B MULTI FUEL

Optional Canopy: Overall dims

H928 W633 D472mm

### RATED OUTPUT

To room **6.4kW** (range 2.8kW)

To int. boiler **13.2kW**

### HEATING CAPACITY

DHW & approximately **10 radiators**

Also suitable for underfloor heating

### NET EFFICIENCY

**74.6%**

### FLUE OUTLET

Top or Rear **150mm (6")** dia.

### MAX LOG LENGTH

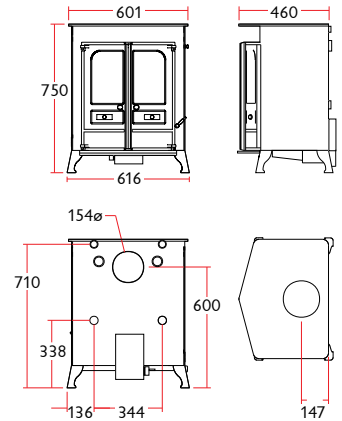
**400 mm (16")**

### WEIGHT

**180kg**

### MIN DISTANCE TO COMBUSTIBLES

Side: **150mm** Rear: **150mm**



## SLX 20i

### RATED OUTPUT \*Wood \*Solid fuel

To room **5.8kW** (range 4-7kW) **6.3kW**

To optional boiler **2.3kW**

### NET EFFICIENCY

**75.7% 72.1%**

### FLUE OUTLET

**150mm (6")** dia. • **150°** elbow required

### MAX LOG LENGTH

**280 mm (11")**

### WEIGHT

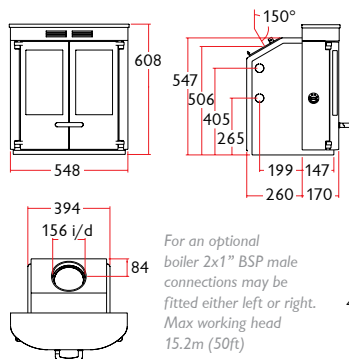
**125kg**

### THERMOSTAT

Body temperature sensing

### MIN DISTANCE TO COMBUSTIBLES

Side: **100mm** Top / Rear: **300mm**



## SLX 20fs

### RATED OUTPUT \*Wood \*Solid fuel

To room **5.8kW** (range 4-7kW) **6.3kW**

To optional boiler **2.3kW**

### NET EFFICIENCY

**75.7% 72.1%**

### FLUE OUTLET

**150mm (6")** dia.

### MAX LOG LENGTH

**280 mm (11")**

### WEIGHT

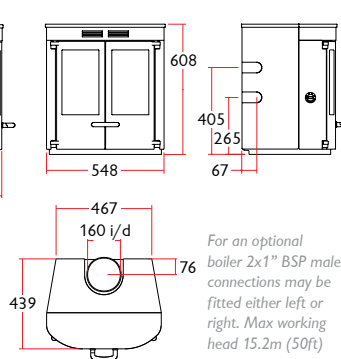
**130kg**

### THERMOSTAT

Body temperature sensing

### MIN DISTANCE TO COMBUSTIBLES

Side: **250mm** Rear: **700mm**



## SLX 45i

### RATED OUTPUT \*Wood \*Solid fuel

To room **6.0kW** (range 4-7kW) **4.6kW**

To water **6.3kW** (range 4-7kW) **9.7kW**

### HEATING CAPACITY

DHW & approximately **8-9 radiators**

Also suitable for underfloor heating

### FLUE OUTLET

**150mm (6")** dia.

### MAX LOG LENGTH

**370 mm (14.5")**

### WEIGHT

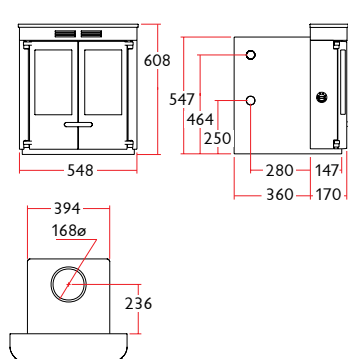
**135kg**

### THERMOSTAT

Boiler temperature sensing

### MIN DISTANCE TO COMBUSTIBLES

Side: **50mm** Top / Rear: **200mm**



## SLX 45fs

### RATED OUTPUT \*Wood \*Solid fuel

To room **6.0kW** (range 4-7kW) **4.6kW**

To water **6.3kW** (range 4-7kW) **9.7kW**

### HEATING CAPACITY

DHW & approximately **8-9 radiators**

Also suitable for underfloor heating

### FLUE OUTLET

**150mm (6")** dia.

### MAX LOG LENGTH

**370 mm (14.5")**

### WEIGHT

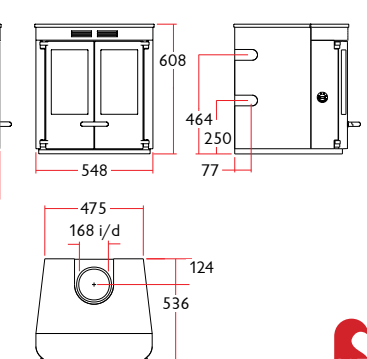
**140kg**

### THERMOSTAT

Boiler temperature sensing

### MIN DISTANCE TO COMBUSTIBLES

Side: **200mm** Rear: **300mm**





# OTHER PRODUCTS

VLAZE, BODJ, ANKI

*vitreous enamel, fair trade fireside & pumice chimney systems*









# VLAZE

## *Luxurious vitreous enamel for the fireplace*

VLAZE offer a range of vitreous enamel wall cladding and hearth plates designed specifically for the fireplace. British made by our sister company AJ Wells, the exceptional surface finish is created by fusing powdered glass to steel at temperatures in excess of 800°C. The result is a luxurious, vibrant glaze that boasts excellent thermal properties, does not crack, distort or discolour when exposed to the heat of the stove and wipes clean. The VLAZE process and finish is identical to that of which AJ Wells use to manufacture the iconic signage and architectural cladding for London Underground.

VLAZE WALL MOUNTED HEAT SHIELDS are designed to be placed behind the stove. When installed the shield reduces the stoves distance to a combustible material to 100mm. The vitreous enamel panel features a dual skin that provides thermal protection and an effective convection system. Using a rail mounted system they are quick and easy to install. The heat shields are available in 3 sizes to suit all our freestanding stove models.

VLAZE INSERT STOVE SURROUNDS are custom made in one piece to fit around any insert stove. The vitreous enamel panel features a soft radius edge and is insulated with fire rated fibreboard.

VLAZE HEARTH PLATES create a clean, modern platform on which to stand your stove. An excellent alternative to glass or polished stone they can be used on their own or alongside our heat shields and insert surrounds for a seamless floor to wall solution. Each hearth features a smooth radius edge and is insulated with fire rated fibreboard to take the heat and weight of the stove while still being light to handle. The hearth plates



are available in 5 sizes to suit most stoves and boast a 12mm depth conforming to UK building regulations for non constructional hearths.

The heat shields, insert surrounds and hearth plates are available in a choice of eleven colours including our standard Black, All White and Basalt. There is also a choice of overlay patterns, textures and designer prints.

VLAZE also produce vitreous enamel worktops and splashbacks for kitchens and range cookers and a range of bathroom and wetroom panels. Visit [www.vlaze.co](http://www.vlaze.co) for specifications and further details of the full range.



Bodj is a fair trade programme exclusive to Charnwood stoves. The initiative sells a selection of fireside accessories manufactured by a number of small developing businesses in Cambodia, South East Asia. We currently work alongside and support three projects each producing unique products using traditional techniques and from

ecologically and locally sourced materials. Our aim is to make a difference to these communities: to actively encourage and celebrate their cultural skills whilst ensuring fair wages and responsible trading practices.



*bodj n. taken from the French name for Cambodia: 'Cambodge'*



## BASKETWARE PROJECT

The Bodj basketware initiative supports a number of basket weaving projects on the outskirts of Phnom Penh and in the Cambodian province of Kratie. A mixture of indigenous materials are used from bamboo and rattan to rush and water hyacinth. Age old weaving techniques are used to create a variety of traditional and adapted designs including log baskets and brushes.

## IRONWORK PROJECT

Bodj ironwork products are made by an ironworking initiative based in Phnom Penh. The project trains up a number of young people from disadvantaged backgrounds. Traditional skills are mixed with Khmer inspired designs to create a variety of log holders and companion sets.

## RECYCLING PROJECT

The Bodj recycled products are produced by a project based in the Kompong Thom province of Cambodia. Colourful rice sacks are recycled into unstructured log and kindling buckets.

All the Bodj projects are kept deliberately small-scale with working practices within the communities carefully monitored so as not to disturb the eco-system in which the craftsmen and women live. The production processes of many of the products are also dictated by monsoons therefore availability is sometimes limited. For more information on the full range of products and projects speak to your local stockist or visit the website [www.bodj.co.uk](http://www.bodj.co.uk)



A good chimney makes the world of difference to the efficiency of your fire or stove and is indeed paramount to the safety of your home. Whether you are embarking on a new build project, wishing to add a chimney to an existing property or simply want to re-line an existing chimney, ANKI Chimneys have a system to suit virtually all applications. It is the simplest and most cost effective way of building a chimney.

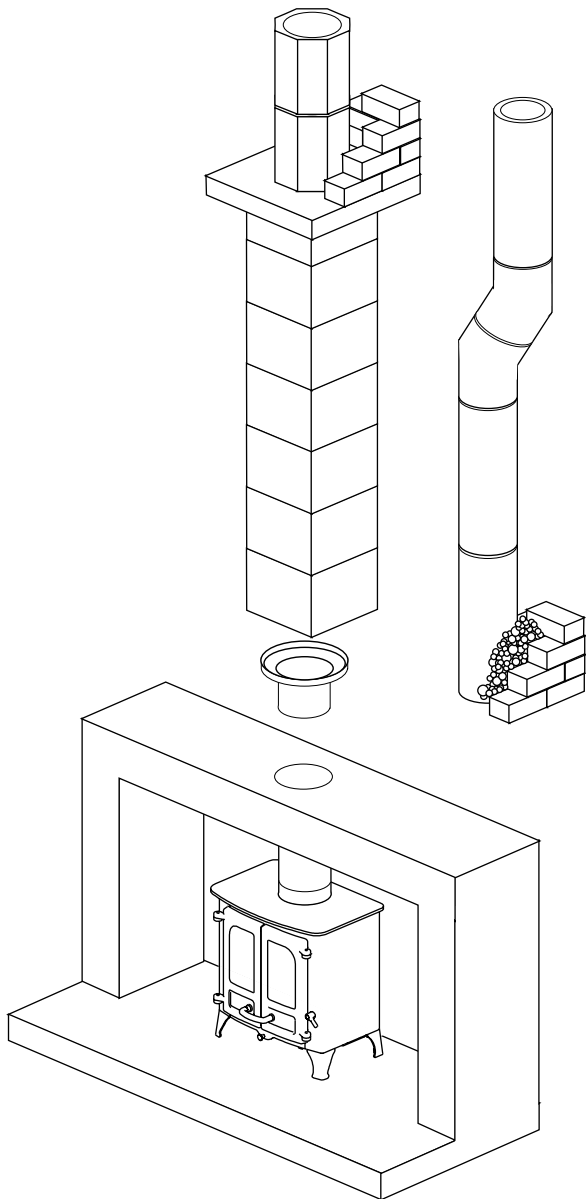
Made from Icelandic volcanic rock ANKI chimney is a product with exceptional insulation and longevity and one that is suitable for all fuel types and guarantees:

- *Minimum heat loss, maximum efficiency*
- *Improved performance for your appliance*
- *Ideal for timber framed & thatched homes*
- *Better chimney draught*
- *Less soot & tar build-up*
- *Chimney fire safe*

For further information ask for our separate ANKI brochure or visit [www.anki.co.uk](http://www.anki.co.uk)

## SINGLE MODULE

ANKI single module blocks are a quick, simple and cost effective way to incorporate a first class chimney into a property. This space saving block is ideal for new build projects (especially timber framed properties) or new chimneys to existing properties. The single module consists of a chimney block with an integral liner.



## ROUND LINER

ANKI round liner is ideal for the re-lining of existing chimneys. It effectively renews the chimney completely from top to bottom, sealing off any cracking and leakage in the chimney stack and improving the overall stability of the chimney. Anki round liners are available in a wide range of sizes.



# charnwood LIVE FIRE

---



*Charnwood Live Fire* is an augmented reality platform that allows you to place a stove in your living room and walk around it to see how it fits into the style of your interior.

Sometimes it's hard to visualise what a stove would look like in your own home. Our new Live Fire app is a simple solution to this problem. Just place the *tag* (pictured opposite) in the space where you would like to install the stove, frame it with your smartphone or tablet and then select your stove. Your chosen Charnwood will then appear before you on the screen – fired up and to scale.

Experiment with different colour and stand options and then walk around your chosen stove so you can see it from different angles. You can even take screen shots to email or share online.

The *Charnwood Live Fire* app is free to download and available now from both Apple and Android stores.

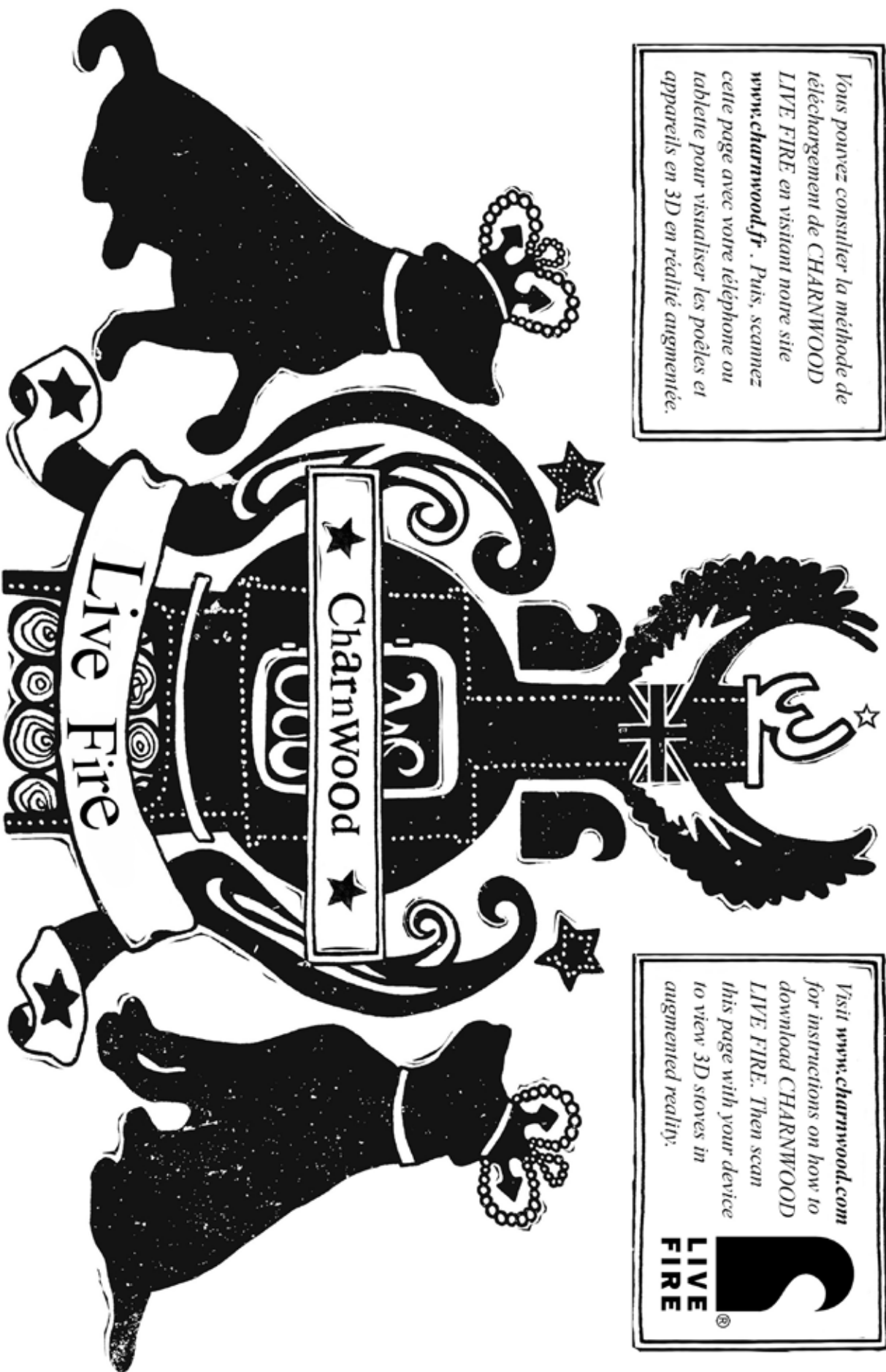


App Store



Google play

*Vous pouvez consulter la méthode de téléchargement de CHARNWOOD LIVE FIRE en visitant notre site [www.charnwood.fr](http://www.charnwood.fr). Puis, scannez cette page avec votre téléphone ou tablette pour visualiser les poêles et appareils en 3D en réalité augmentée.*



*Visit [www.charnwood.com](http://www.charnwood.com) for instructions on how to download CHARNWOOD LIVE FIRE. Then scan this page with your device to view 3D stores in augmented reality.*

**S**  
**LIVE**  
**FIRE**  
®





**charnwood** BISHOPS WAY, NEWPORT, ISLE OF WIGHT PO30 5WS, UNITED KINGDOM  
TEL. +44 (0) 1983 537777 • FAX. +44 (0) 1983 537788 • WWW.CHARNWOOD.COM