

INFORMATION SHEET 16-07-19-1

UP TO 12.5 KW AUTOMATIC OIL FIRED BOILER VERTICAL & HORIZONTAL VERSIONS



Applications

Suitable for heating Narrowboats, Barges, Dutch Barges and Tjalk's, Caravans, Showman's Vans and homes with a maximum heat requirement of up to 12.5 kW.

Cost, Convenience, Reliability and Efficiency are the main stays of the PJ Auto Boiler.

For live aboard boaters it's a must, bringing a new level of comfort and convenience to life aboard.

Its rugged reliability will provide a trouble free source of automatically controlled heat when and where you want it and the water jacket and stainless baffles carry a full five year warranty.

Using the latest Ecoflam Max Oil Burner technology, it's a heavyweight in all aspects except the cost, at almost half the price of its nearest competitor the PJ packs a heavy punch.

Available in two configurations either vertical or horizontal, the PJ can be fitted in a variety of locations and can be supplied as a boiler only or a complete package including all the optional additional components listed below.

Time and Temperature Control Pack

Fully Time clock controllable using the Danfoss Y or S plan control packs.

7 day time clock on - off controls for both hot water and central heating with timed hot water only for summer time.

Full automatic, thermostatic control of both hot water and central heating temperatures.

Flue Pack

Through side or through deck flue packs available, see technical installer manual for illustrations.

Oil Line Pack

Oil line packs for positive or negative head situations including Remote Sensing Firevalve, Oil Tank Connection, Isolation Devices and Oil Line De Aerators.

Low Running Costs

The automatic burner modulates on and off in line with your heating demand which is controlled by the setting of the hot water thermostat attached to the hot water calorifier or the setting of the room temperature control thermostat.

Long Term Reliability

Fifteen years of gradual improvements the latest being the introduction of the new Ecoflam Max Burner having the following advantages:-

Reliable and long lasting Digital Control Unit (Thermomat) with full plug in diagnostic kit available as a low cost optional extra.

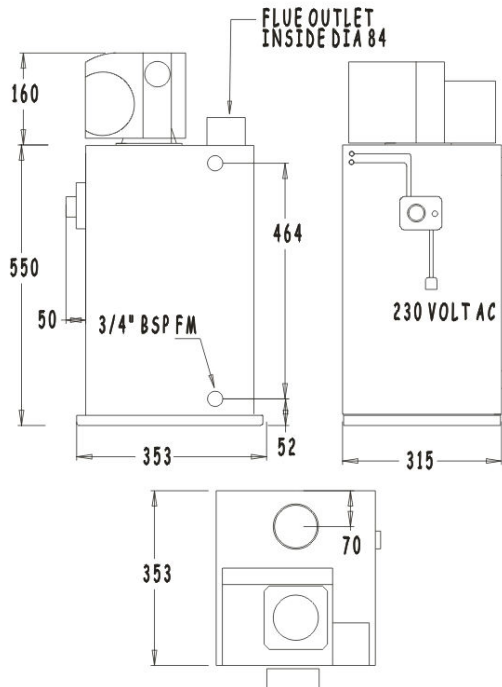
Lower cost replacement of D.C.U. control unit.

Higher fan pressure leading to improved combustion and reduced CO emissions.

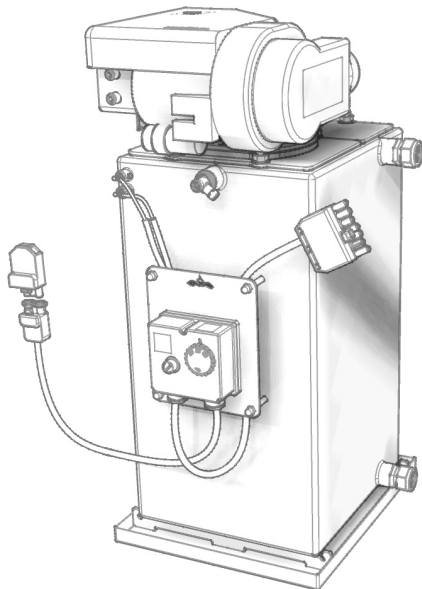
Stainless Steel Baffles with a five year warranty.

Heavy steel construction heat exchanger which is fully replaceable and comes with a five year leakage warranty.

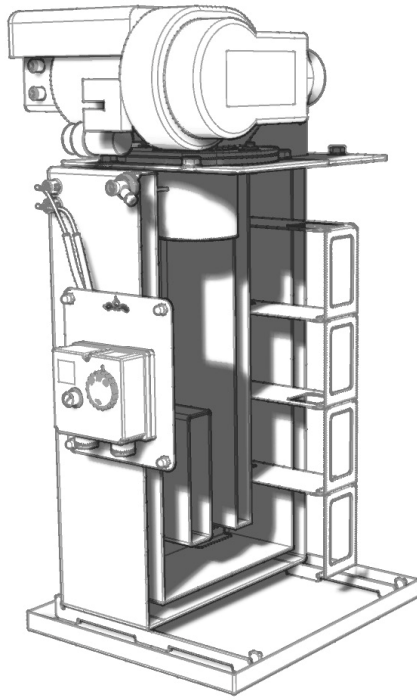
Dimensions Vertical Version.



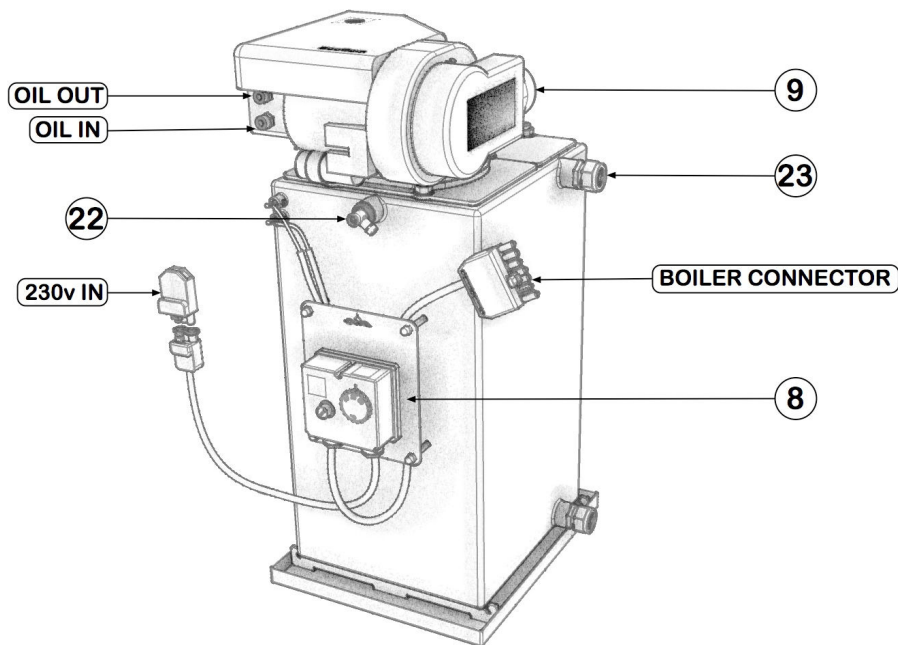
General Arrangement Vertical Version.



Sectional View



Parts List

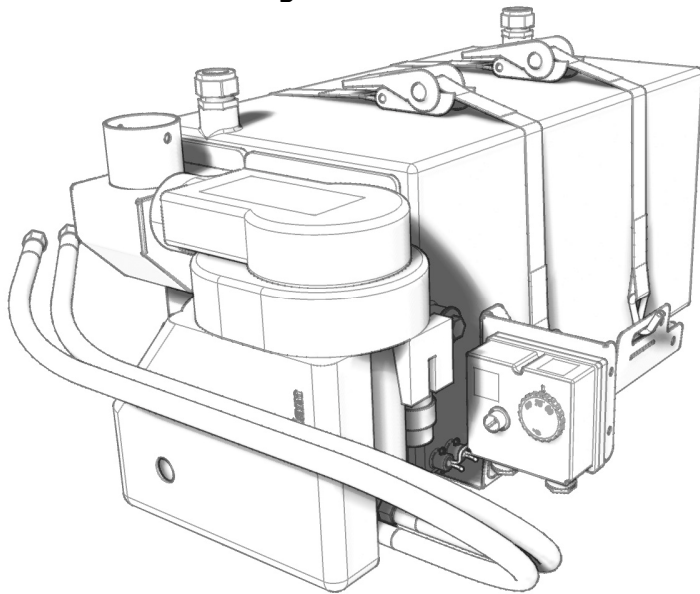


KEY

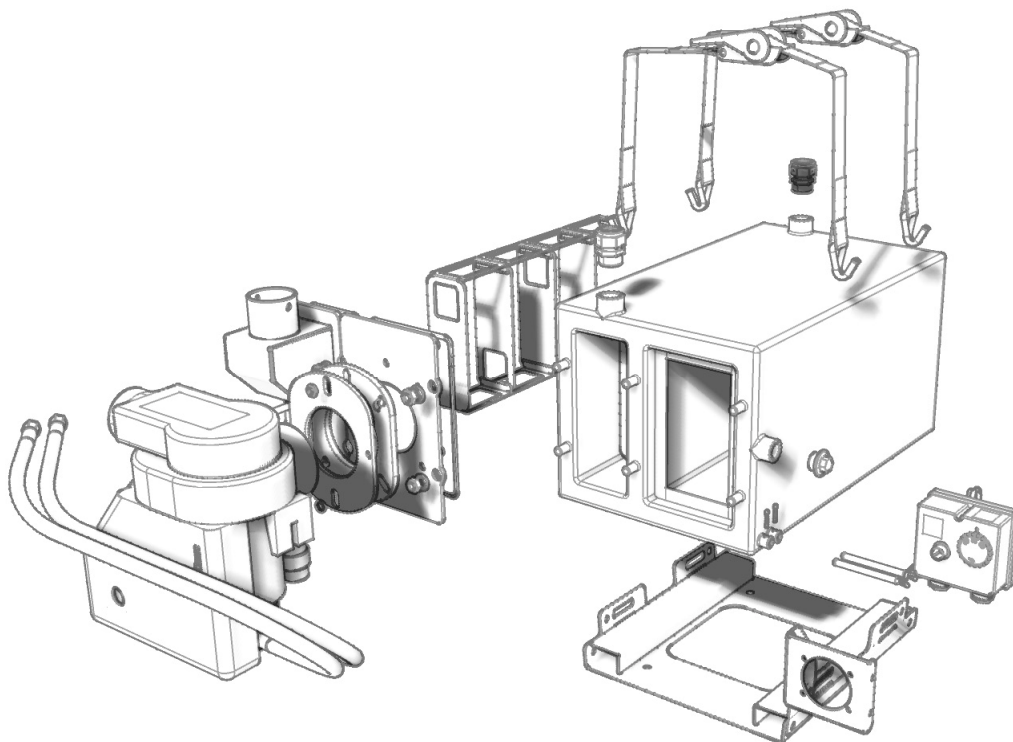
- 8 Boiler Thermostat
- 9 Burner Air Inlet
- 22 Air Vent
- 23 Hot Water Flow Connection $\frac{3}{4}$ " to 22mm copper.

Horizontal Version

Horizontal Burner Arrangement



Exploded Parts Arrangement



Designed and manufactured in the U.K.

www.bubbleproducts.co.uk 01302 742520